

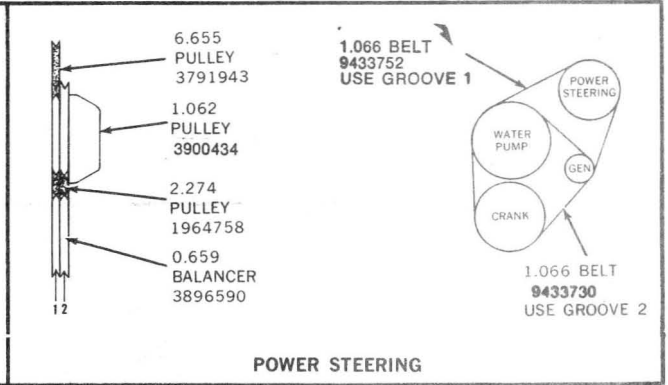
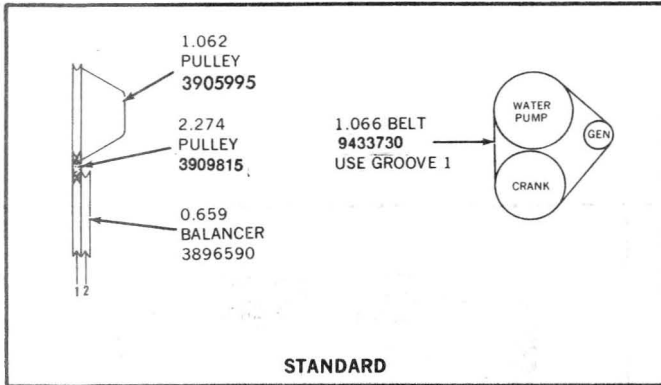
GROUP 1.000

COOLANT — GRILLE

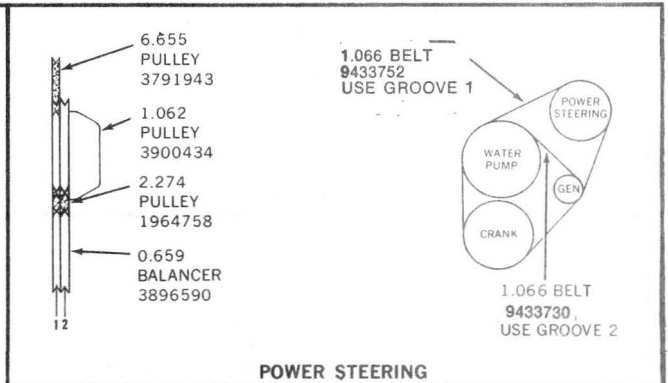
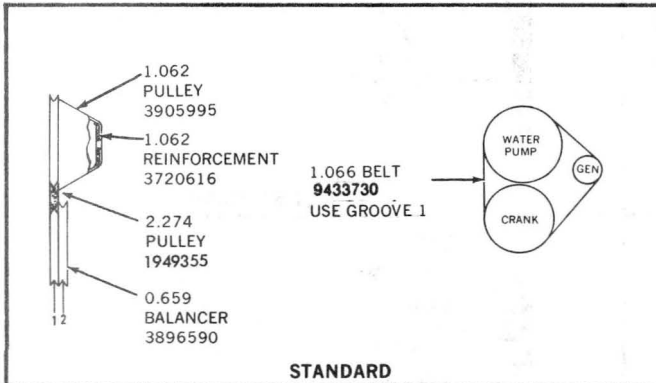
OIL SYSTEMS

ILLUSTRATION INDEX

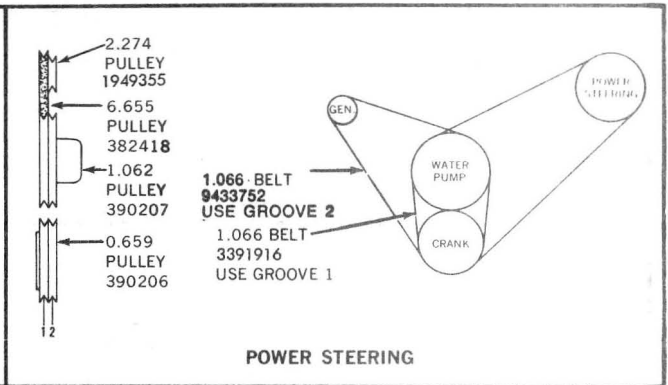
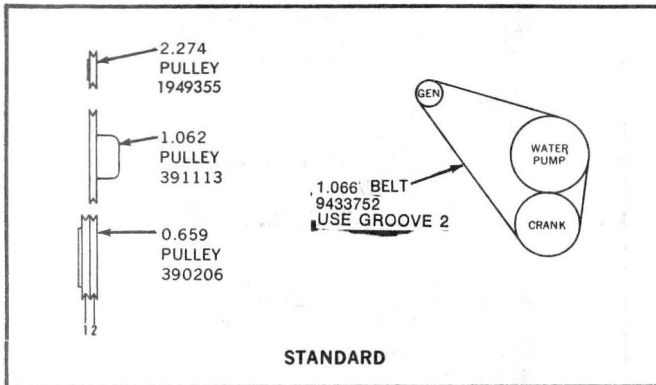
Description	Page
Belt and Pulley Charts	1-17
Front End Sheet Metal	18-35
Ventilation, Cooling and Oiling Details	36-47



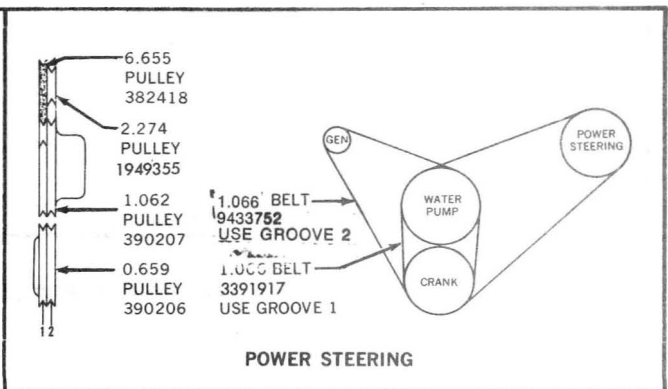
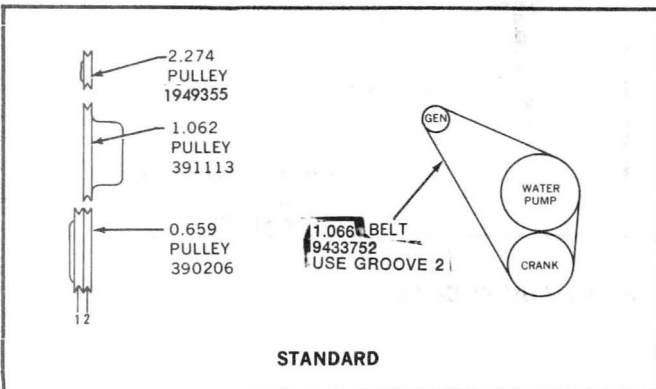
1966 6 CYL.



1967 6 CYL.

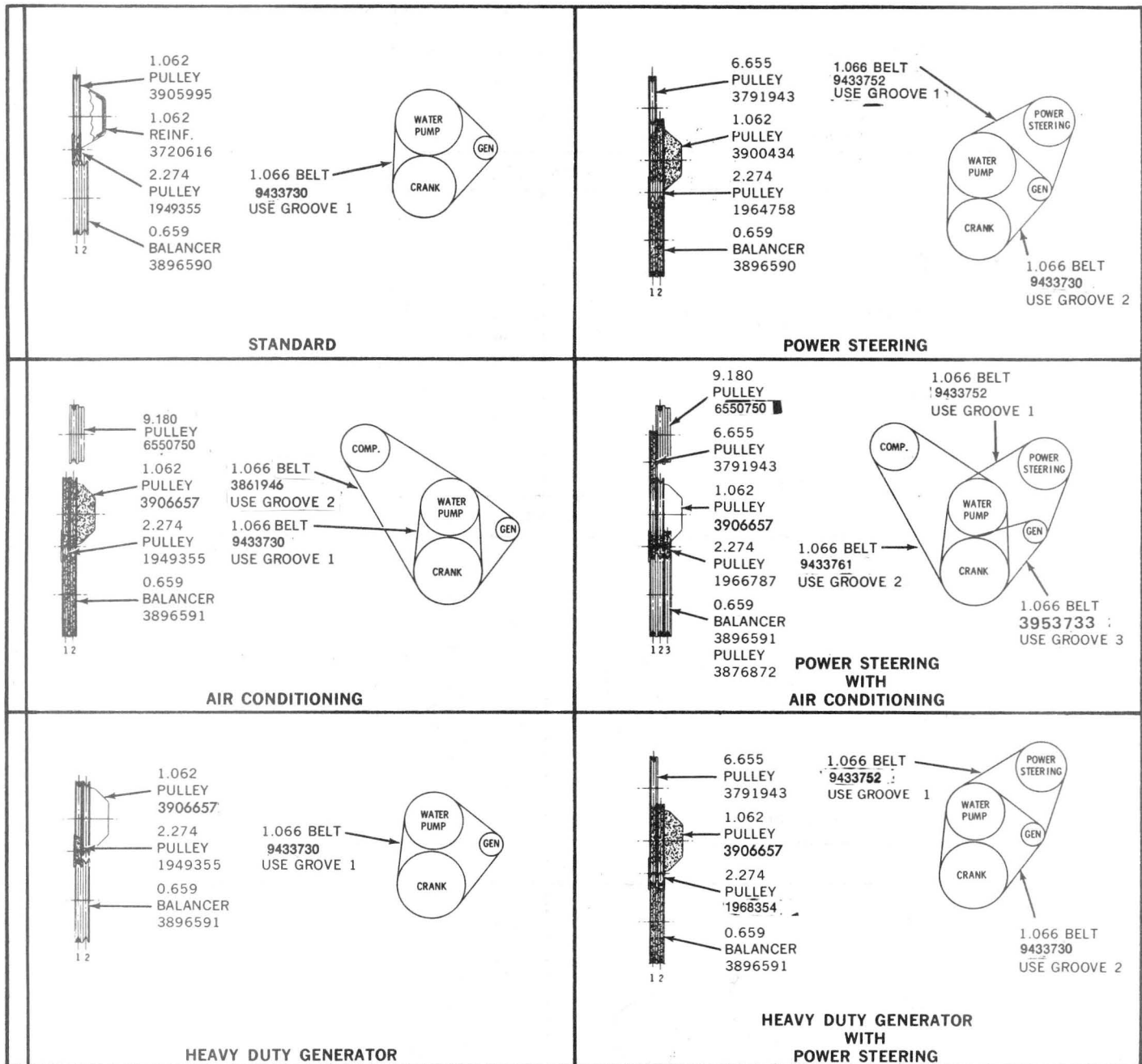


330 V-8

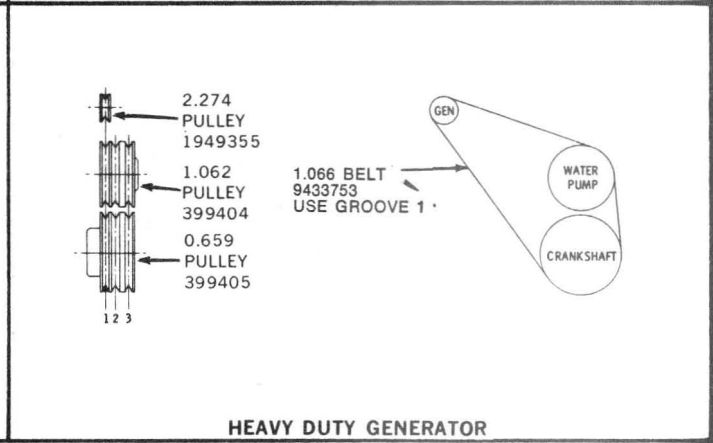
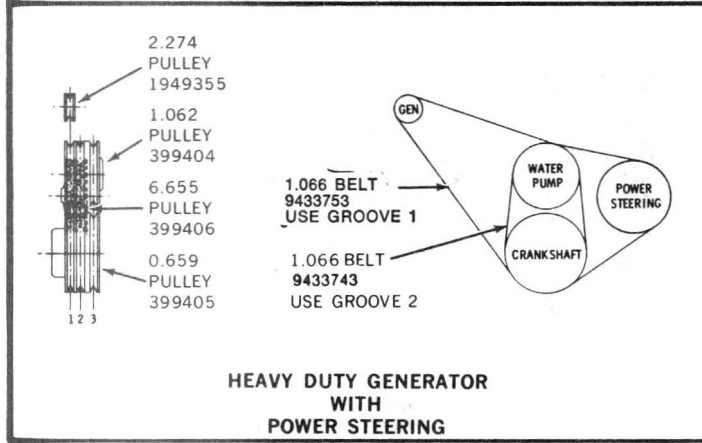
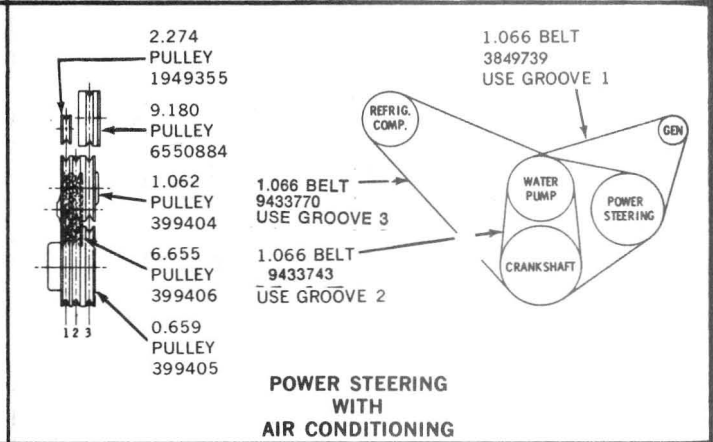
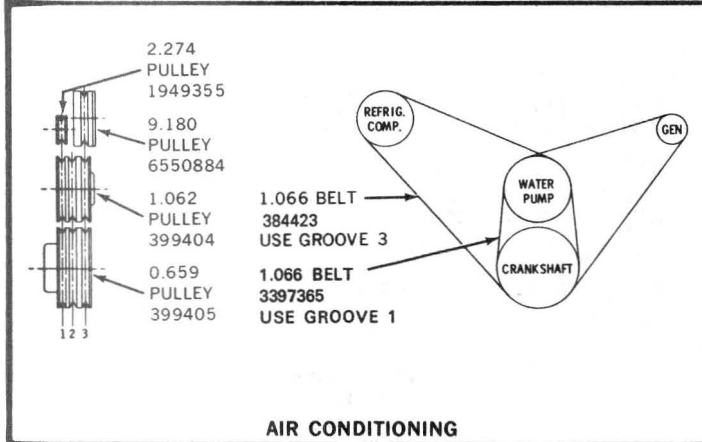
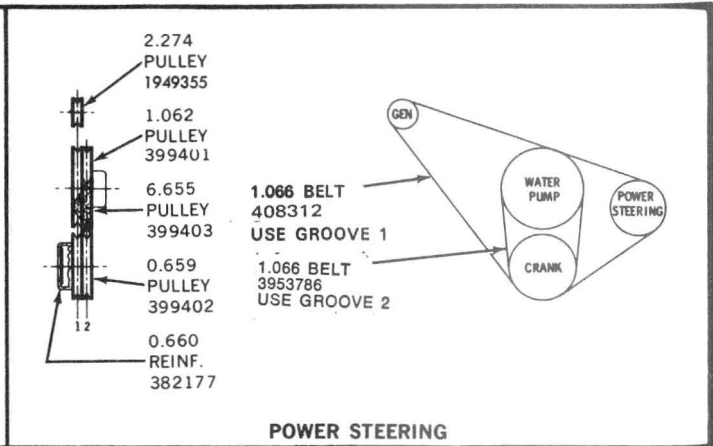
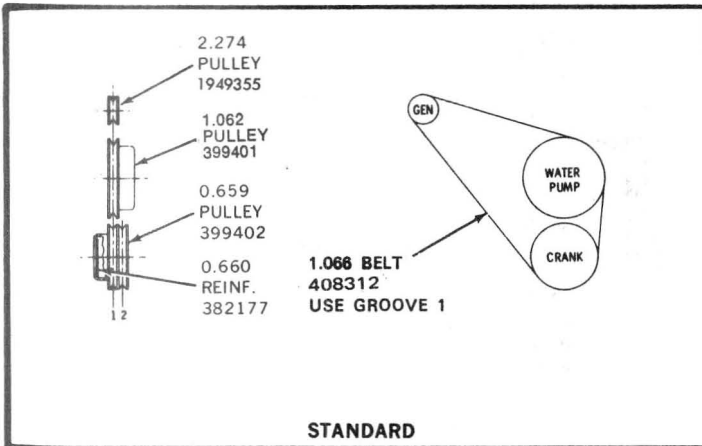


400 V-8

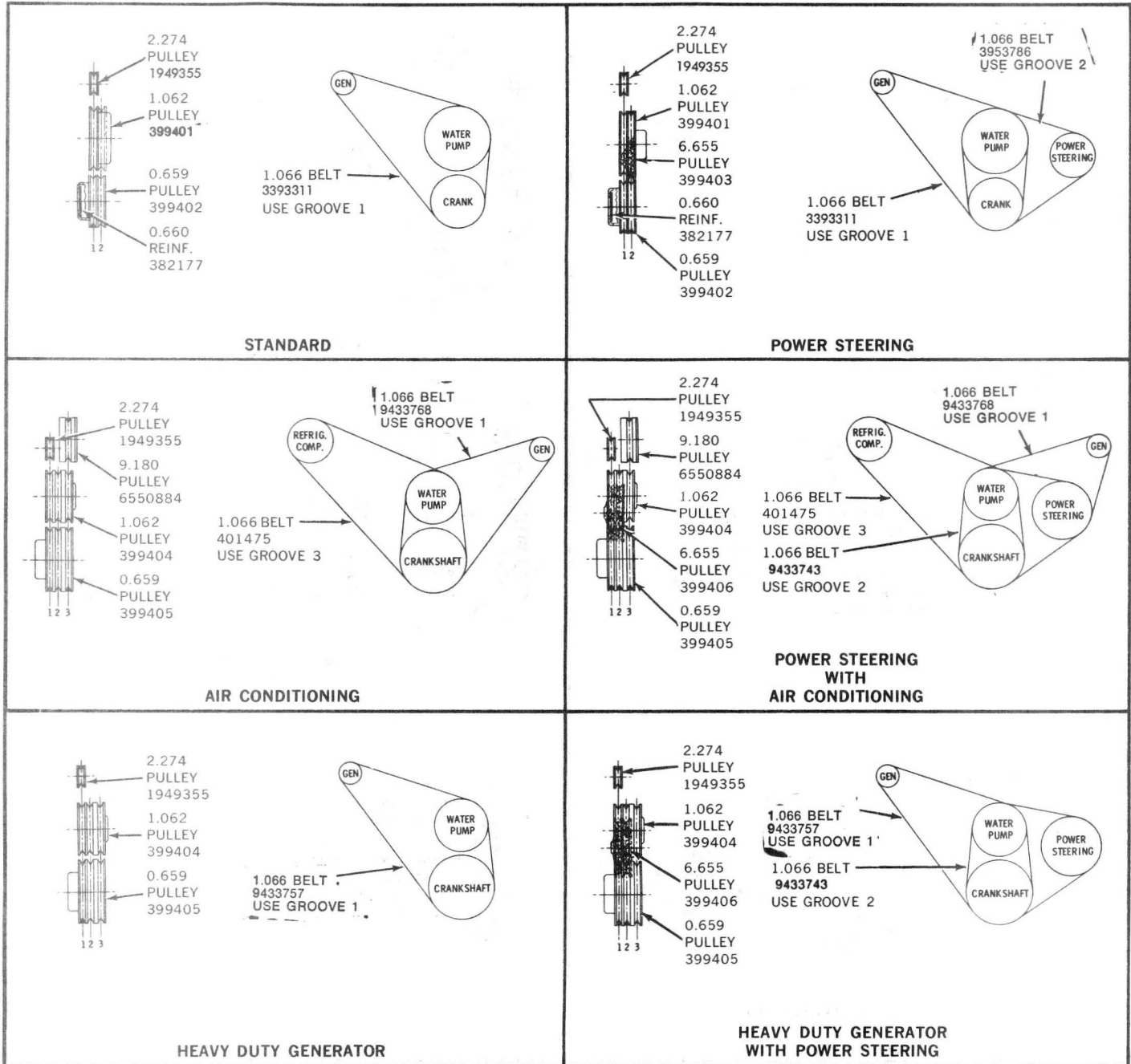
1966-67 ENGINE BELT AND PULLEY CHART



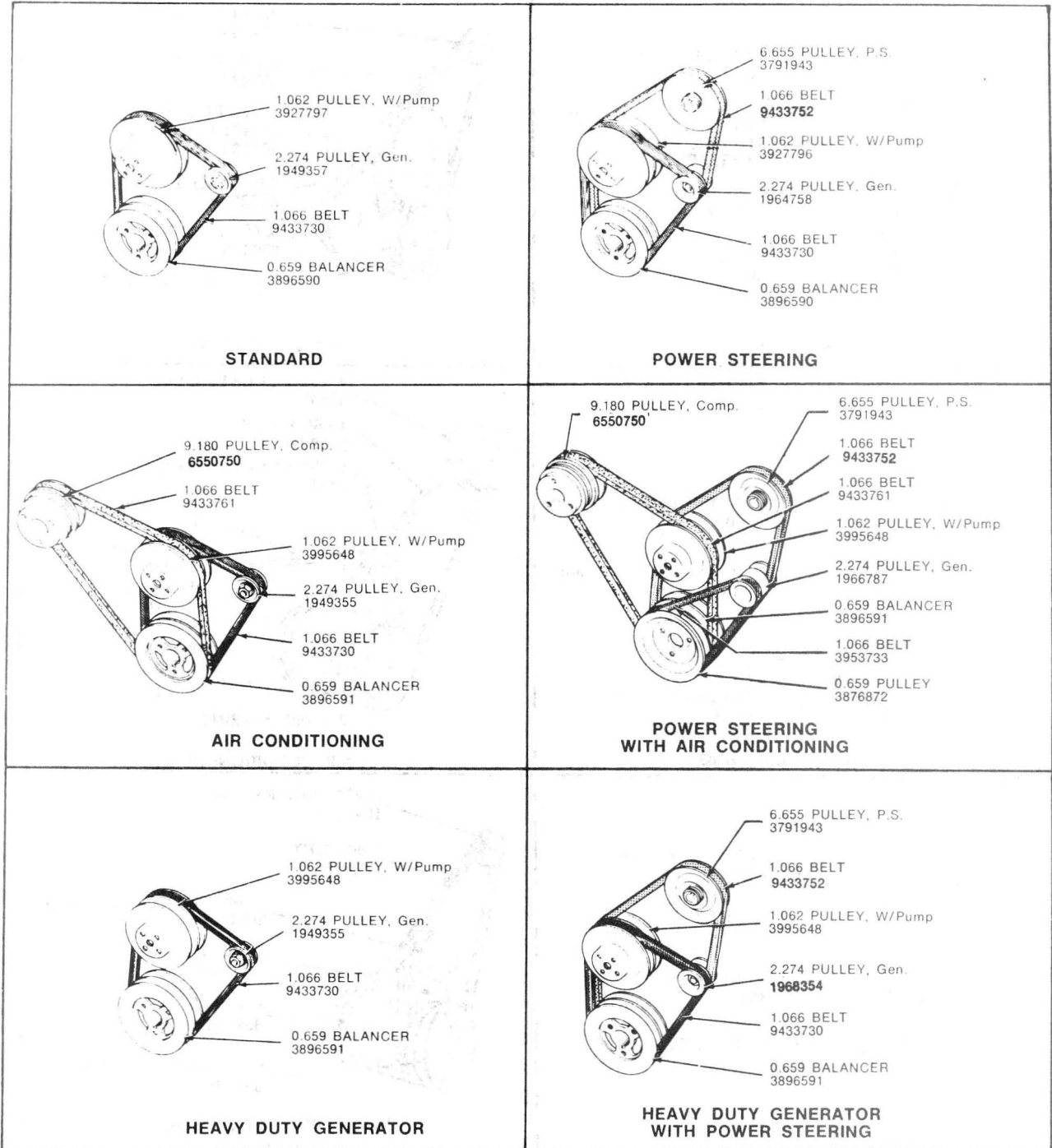
1968 6 CYL. ENGINE BELT & PULLEY CHART



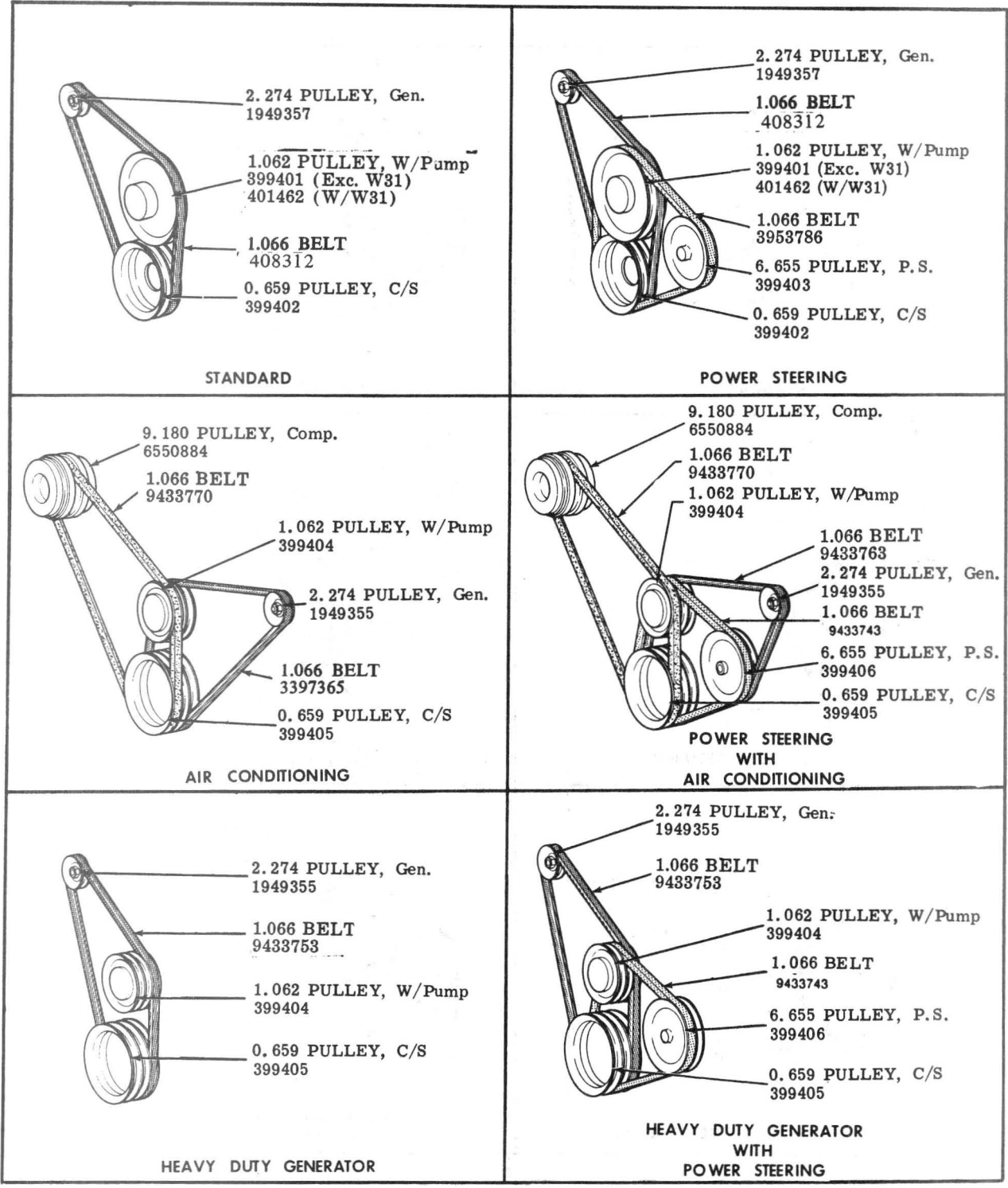
1968 350 V-8 ENGINE BELT & PULLEY CHART



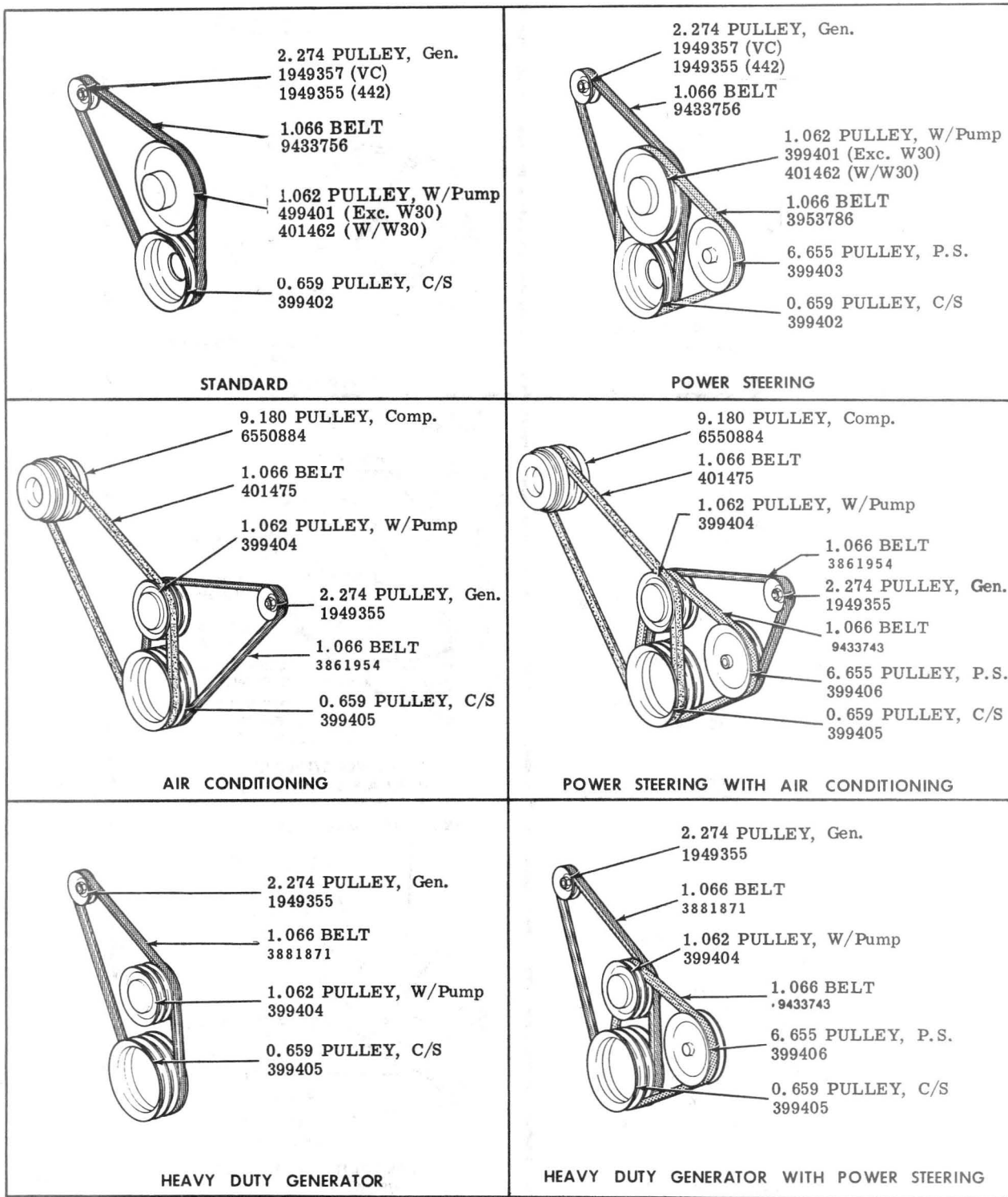
1968 400 V-8 ENGINE BELT & PULLEY CHART



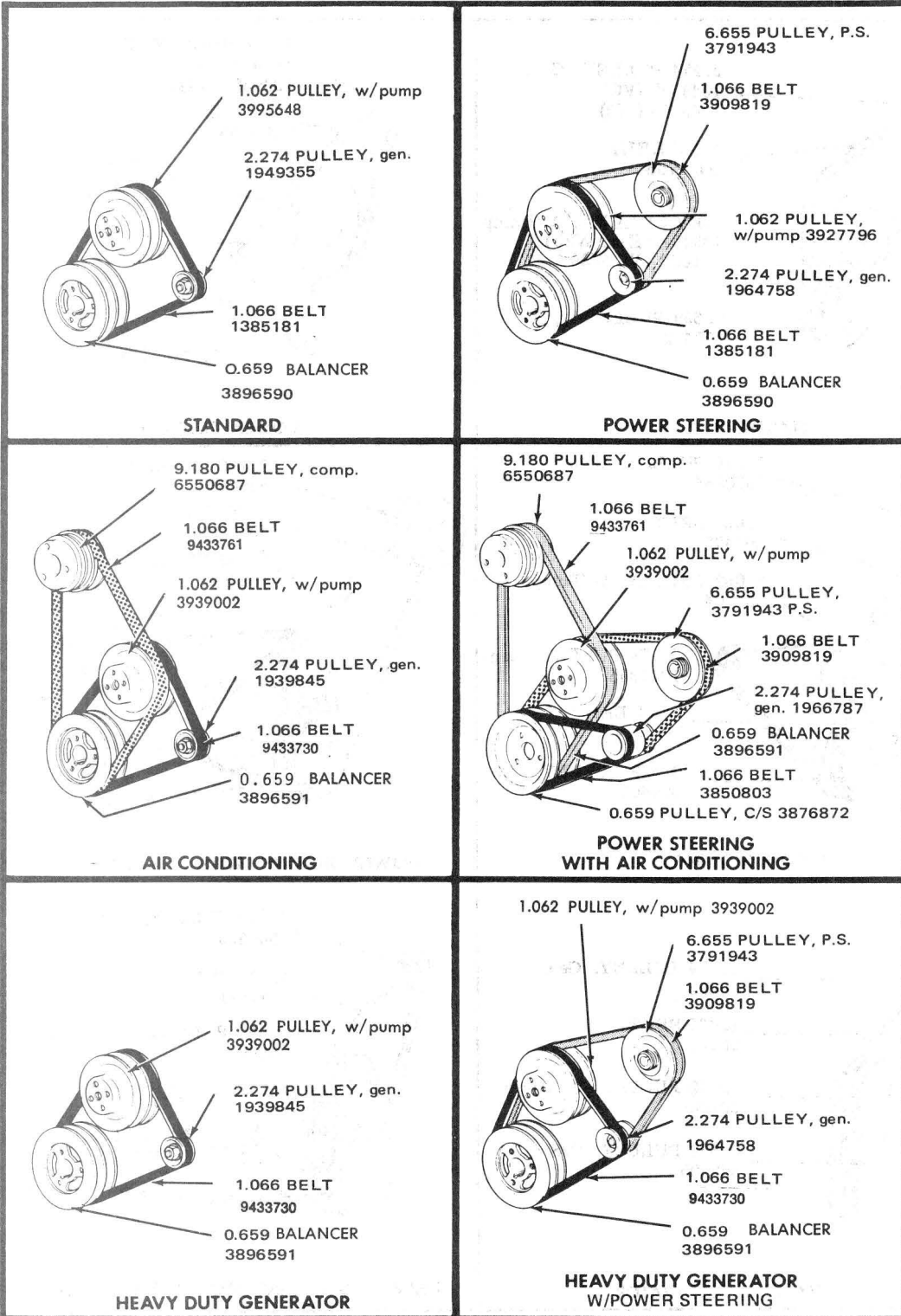
1969 6 CYL BELT & PULLEY CHARTS



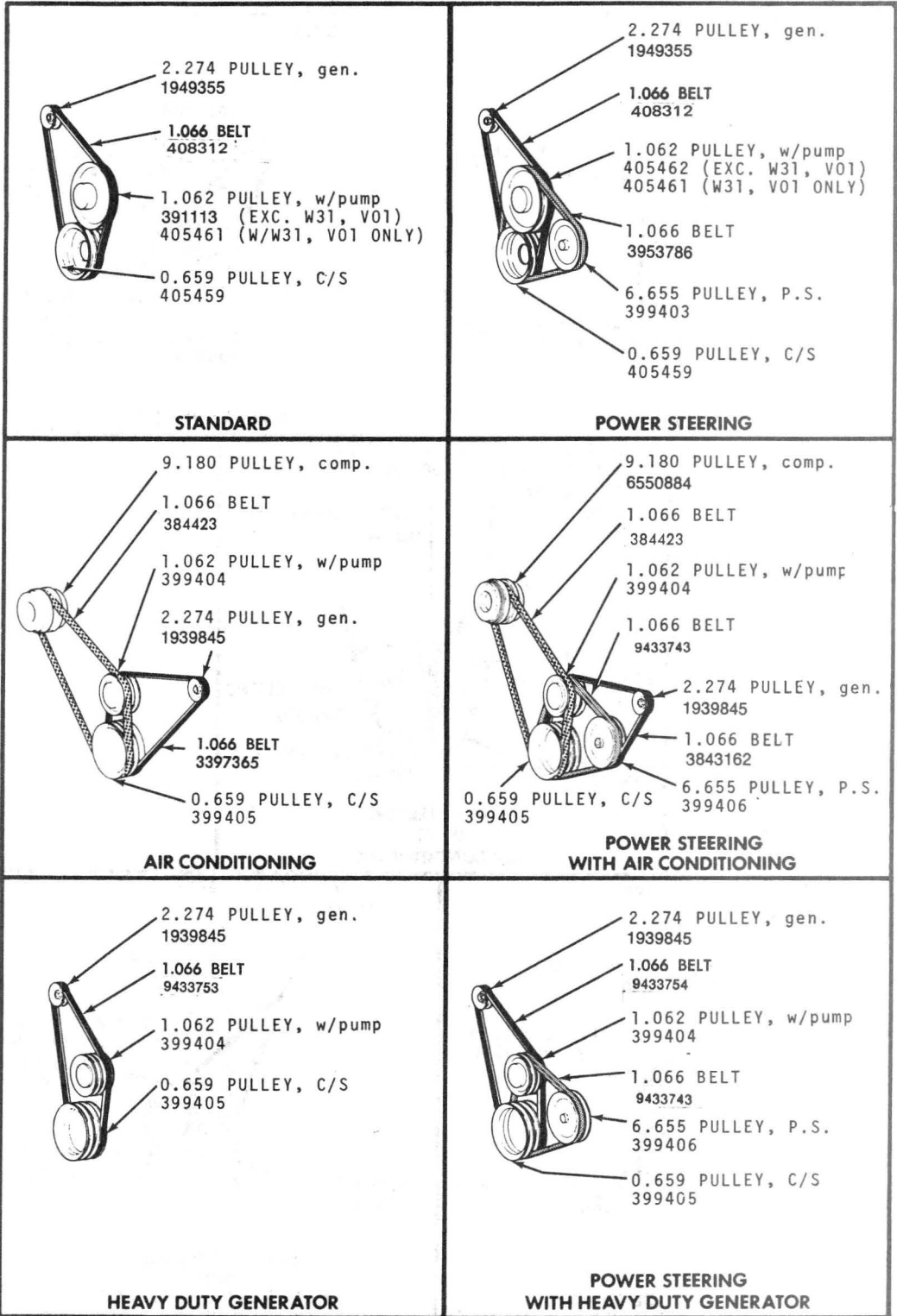
1969 350 V-8 BELT & PULLEY CHARTS



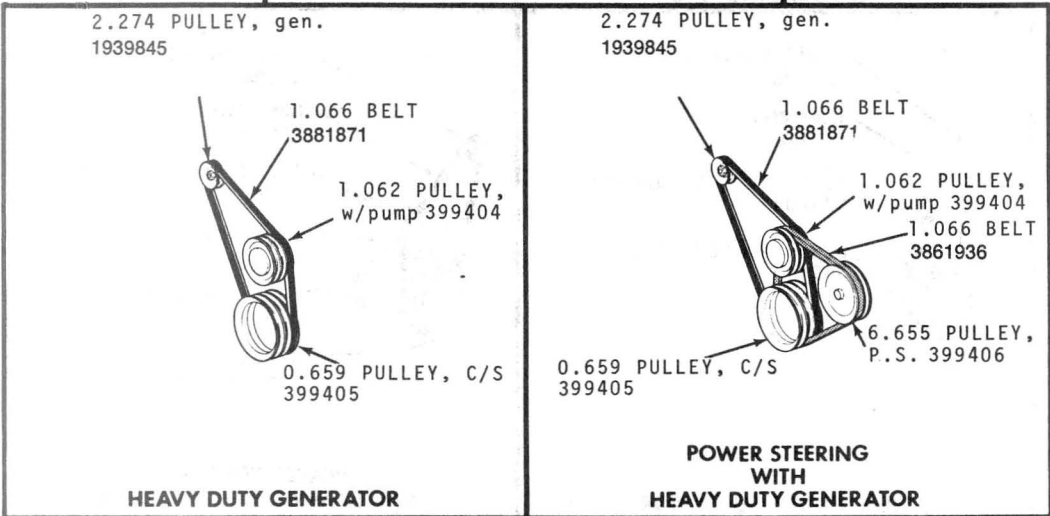
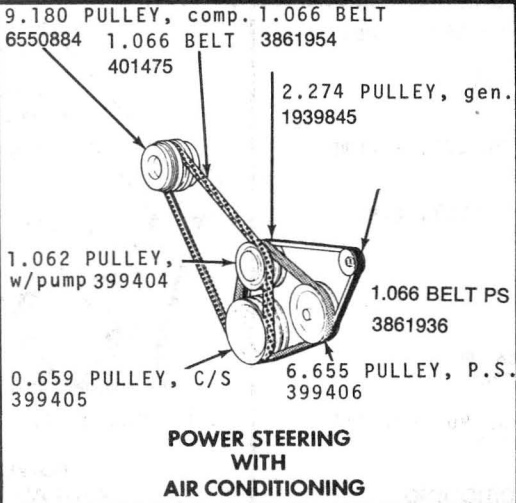
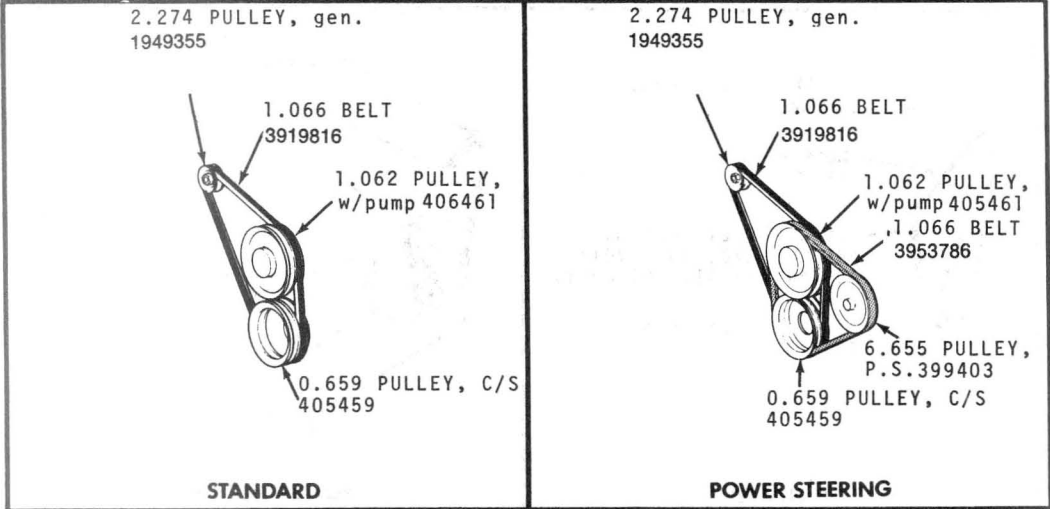
1969 400 V-8 BELT & PULLEY CHARTS



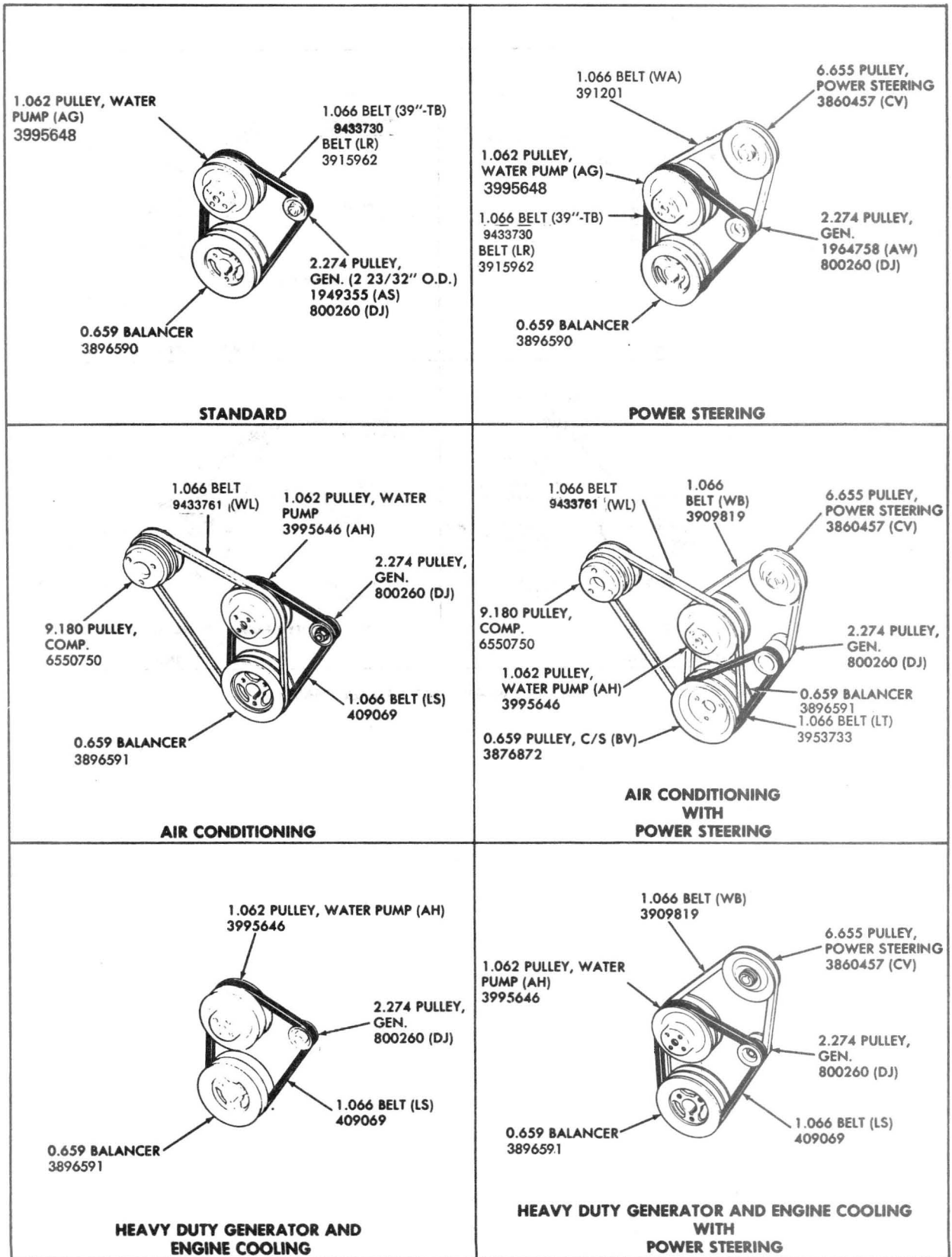
1970 F-85 L6 ENG. BELT & PULLEY CHARTS



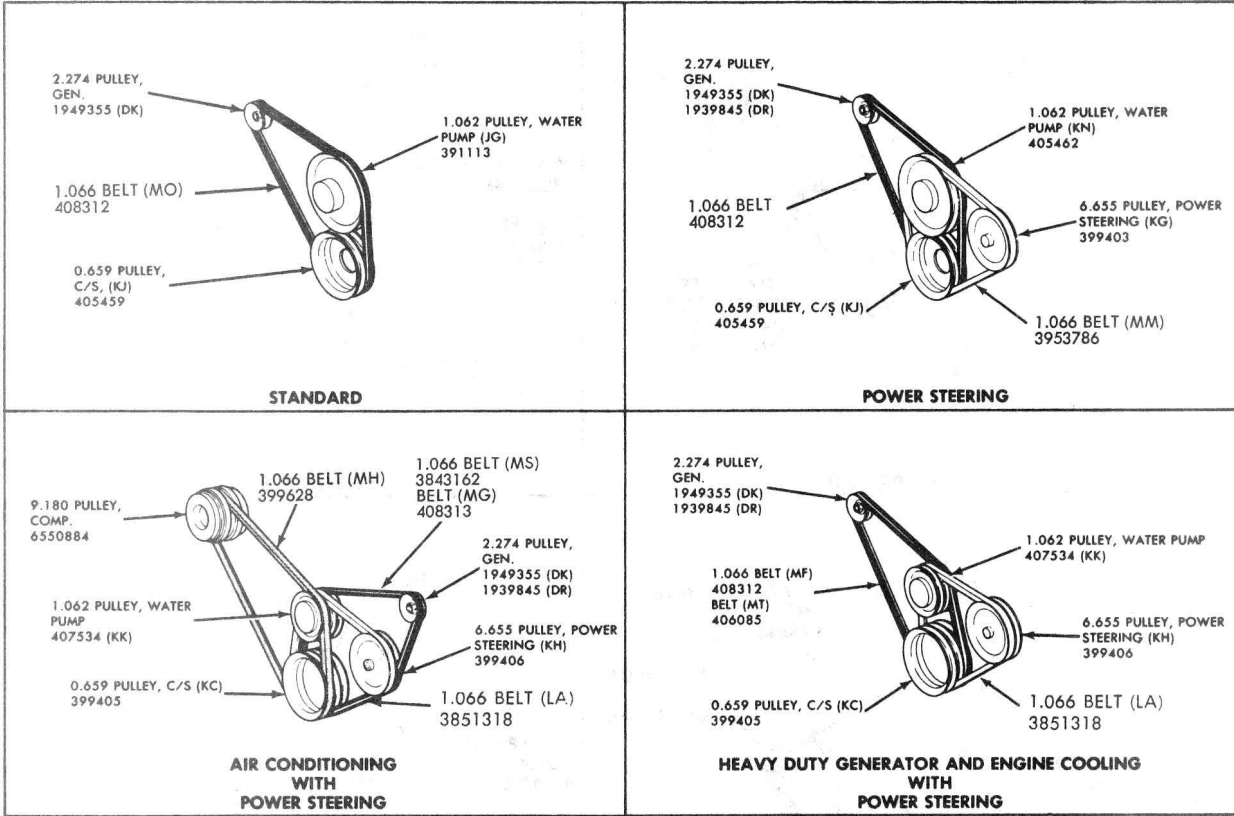
1970 F-85 350 ENG. BELT & PULLEY CHARTS



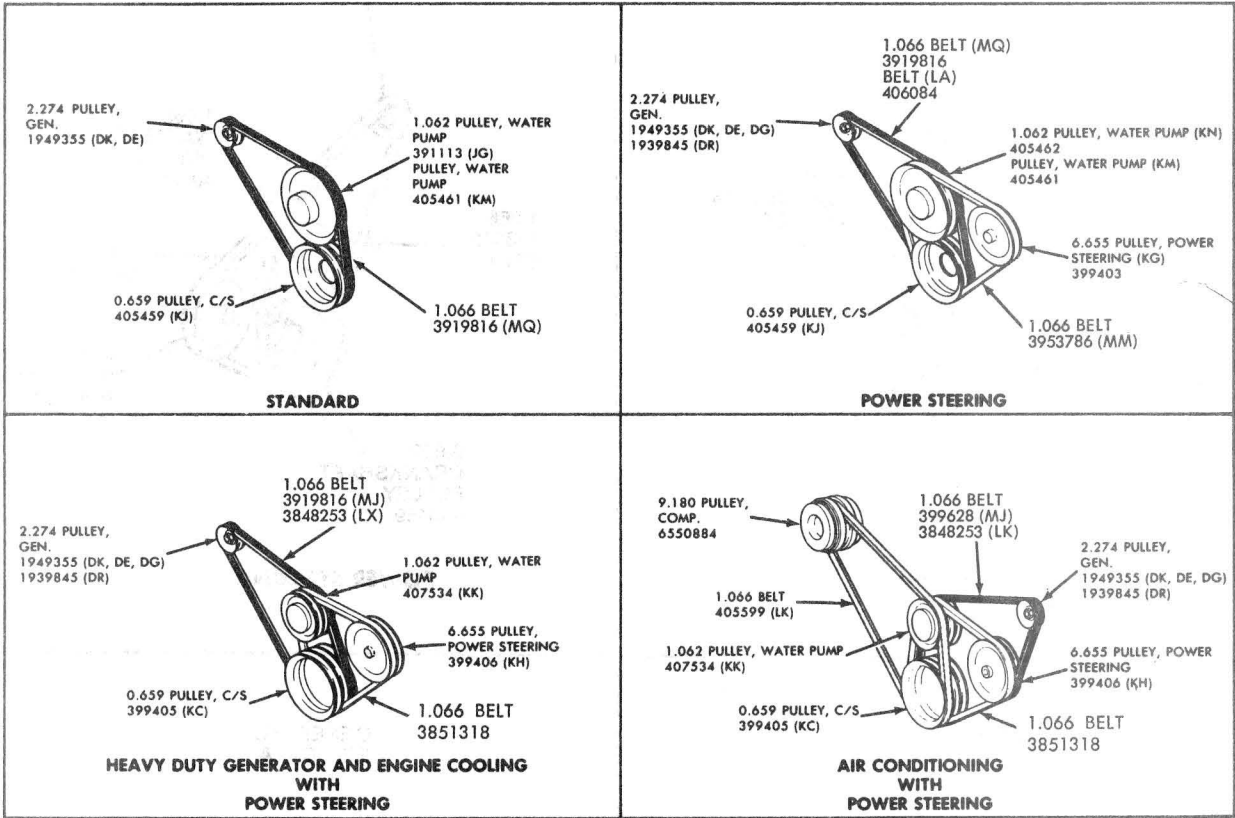
1970 455 ENG. BELT & PULLEY CHARTS (EXC. TOR.)



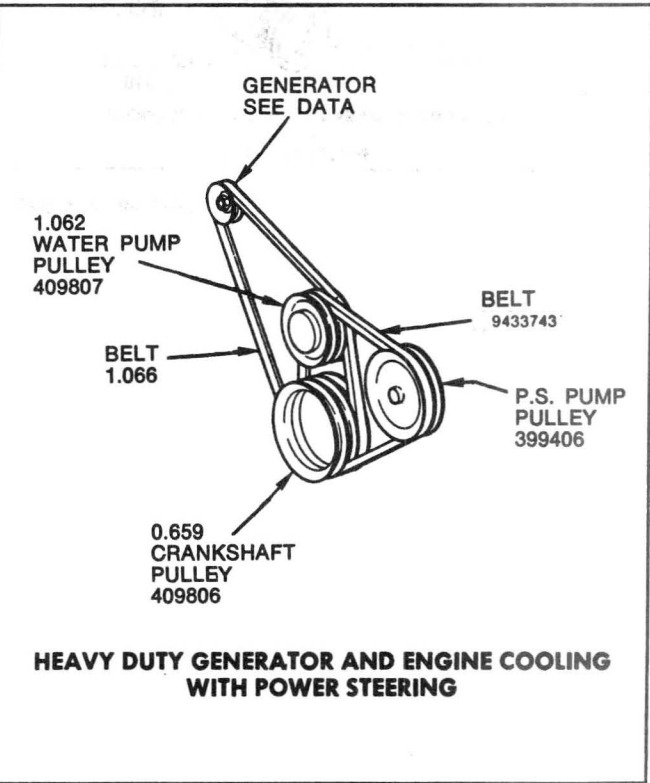
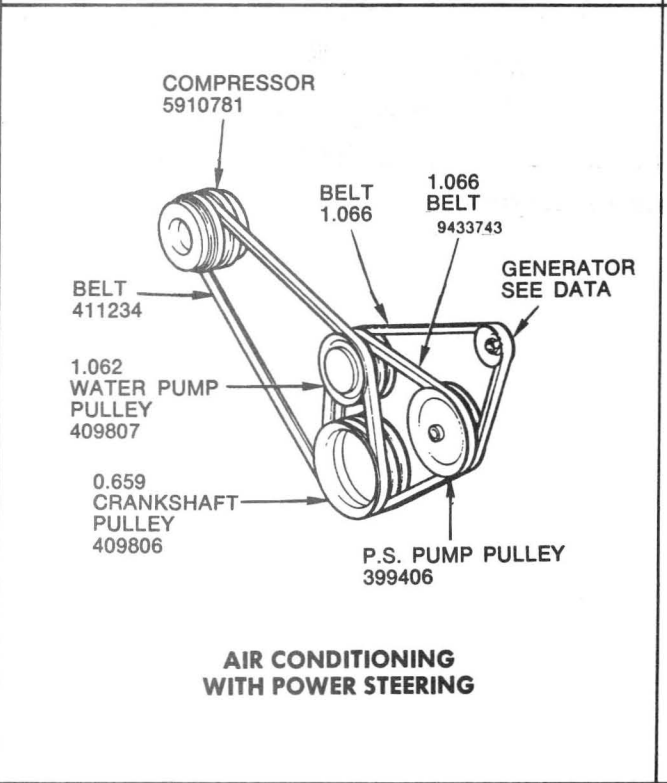
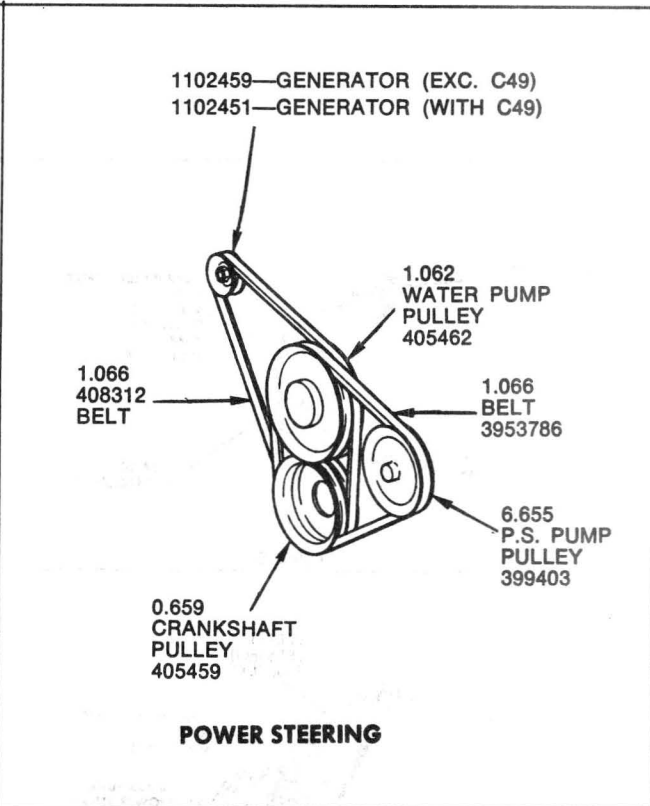
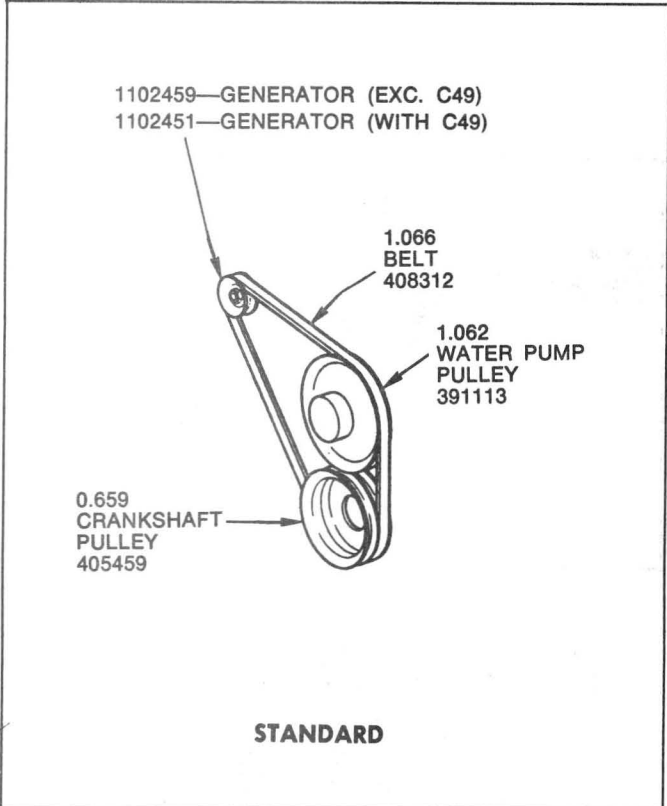
1971 F85 L6 ENG. BELT AND PULLEY CHART

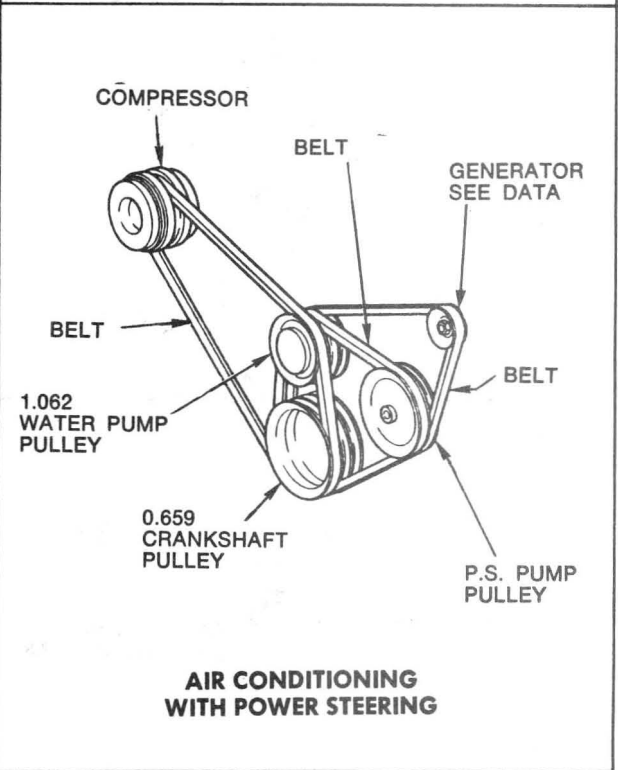
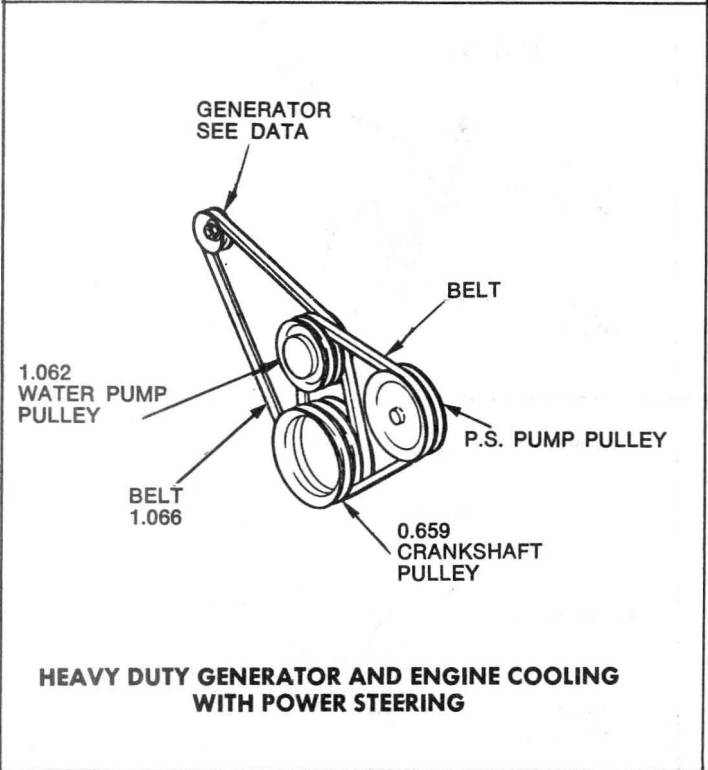
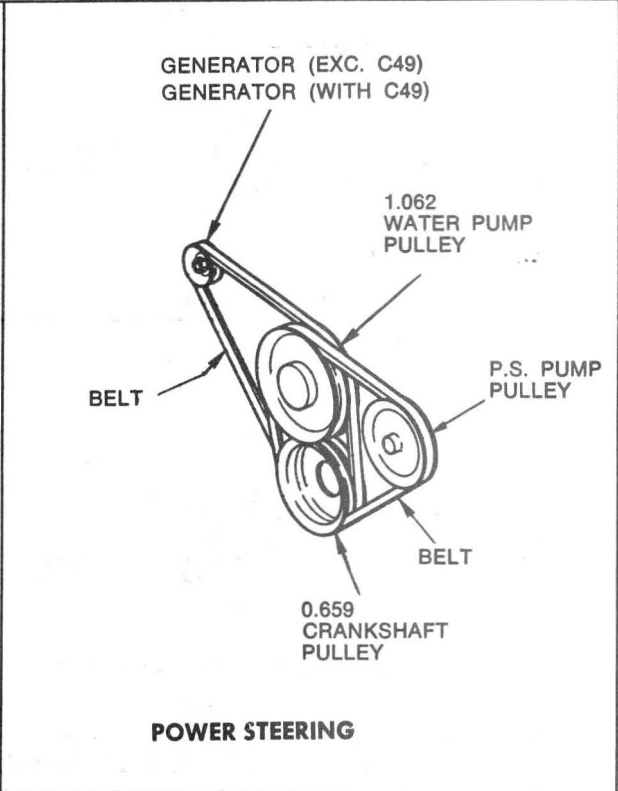
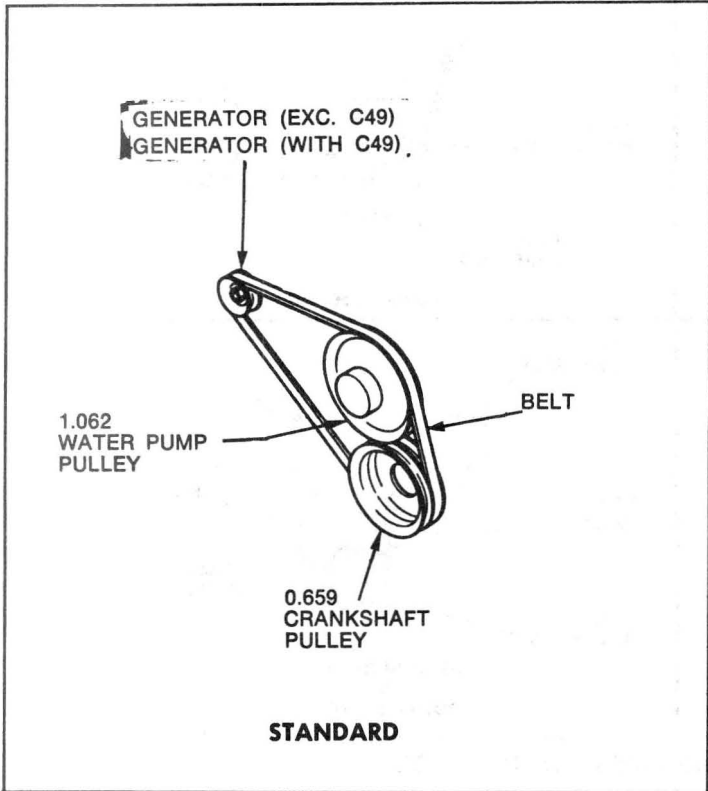


1971 F85 350 ENG. BELT & PULLEY CHART

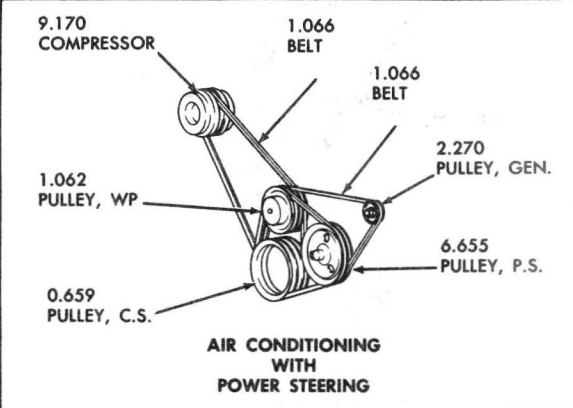
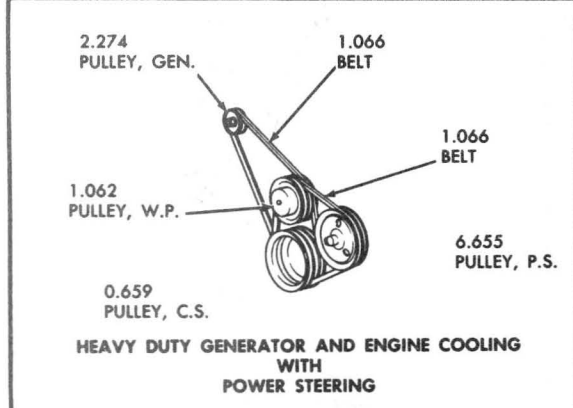
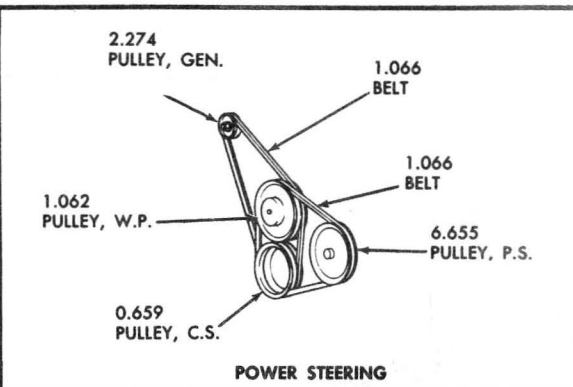
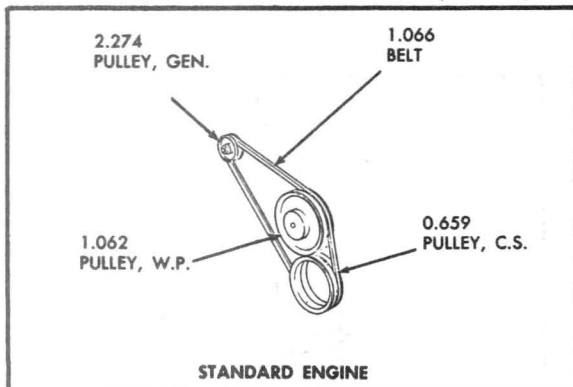


1971 F85 455 ENG. BELT & PULLEY CHART

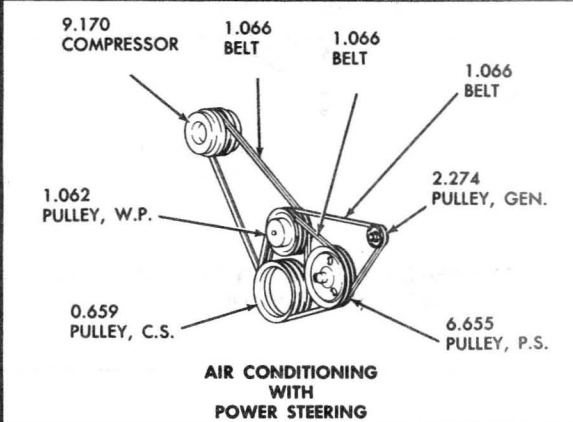
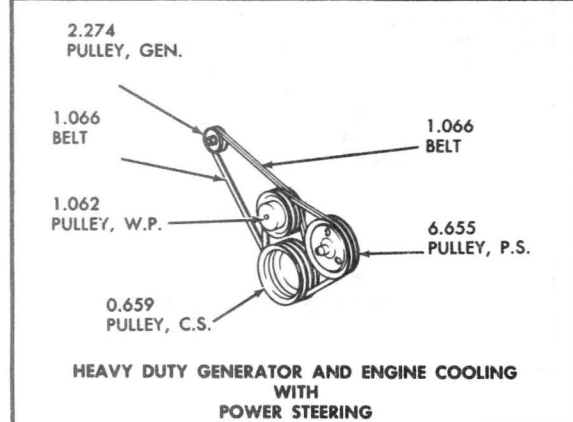
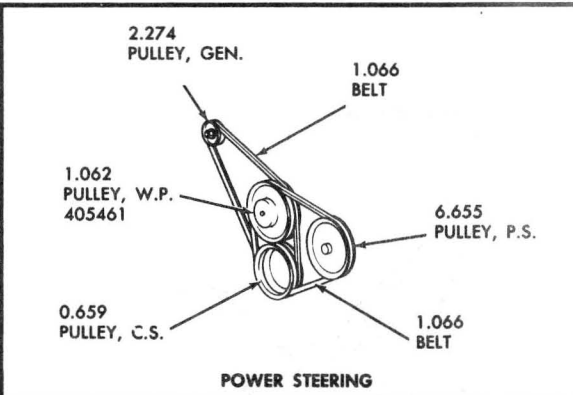
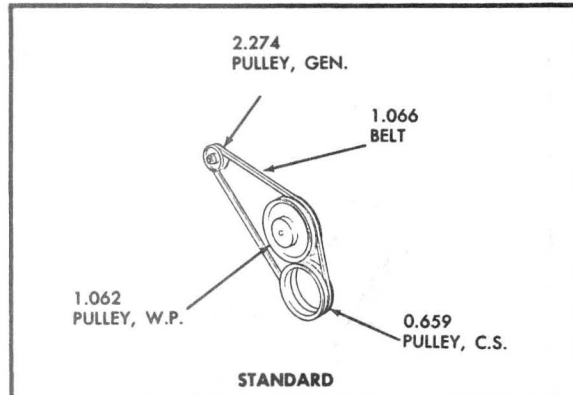




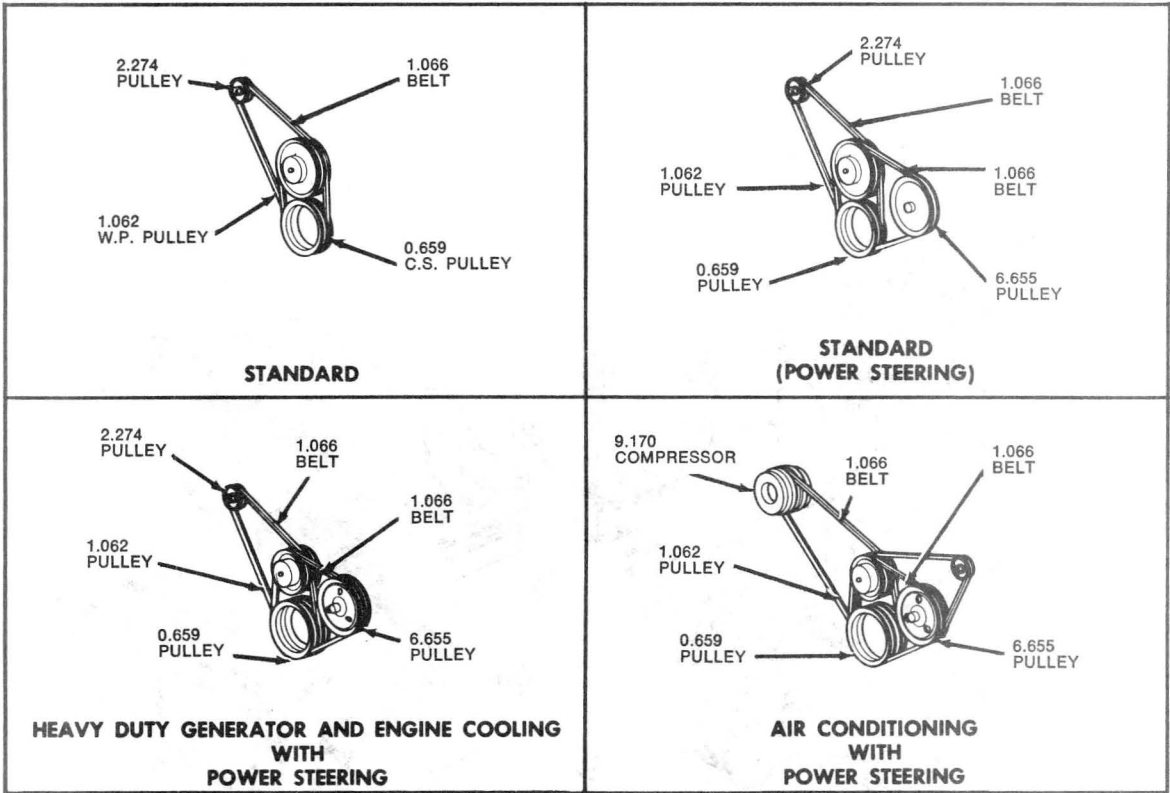
1972 - 455 ENG. BELT AND PULLEY CHART



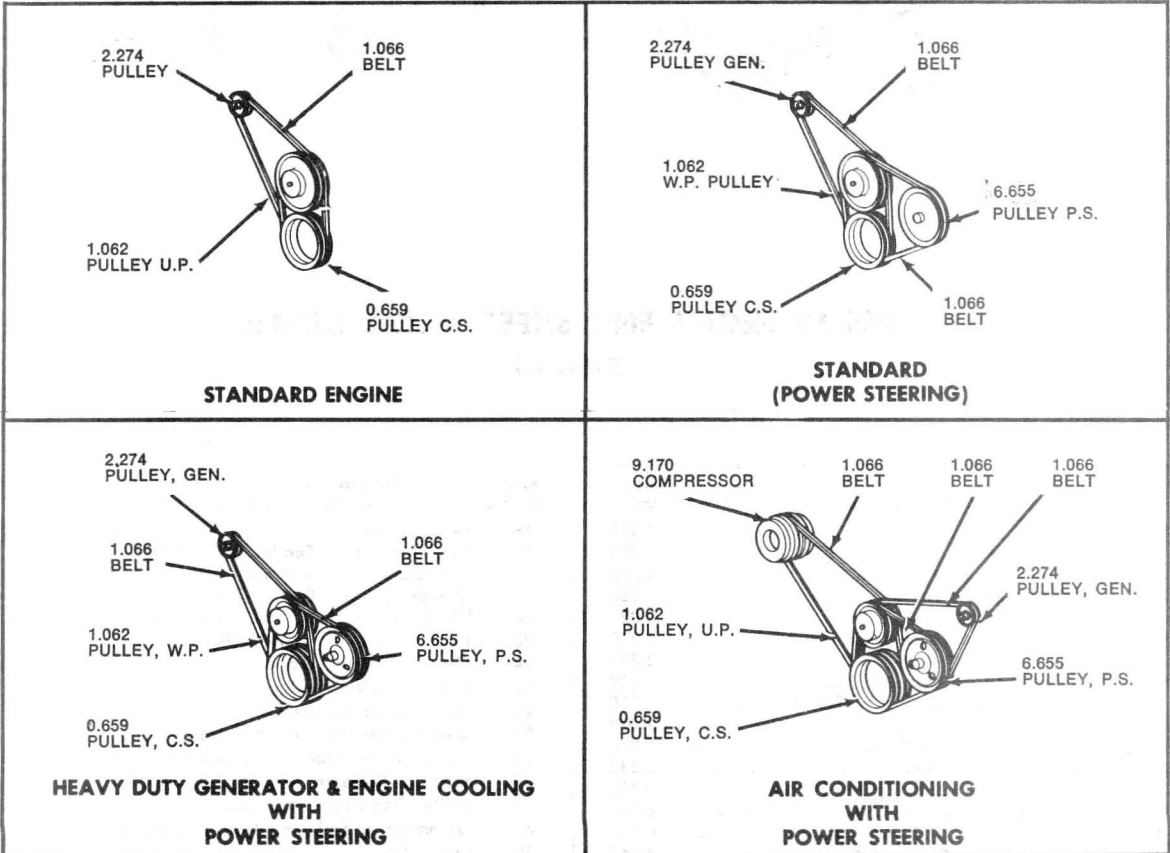
1973 "A" PULLEY & BELT DIAGRAM—350 CU. IN. ENGINE



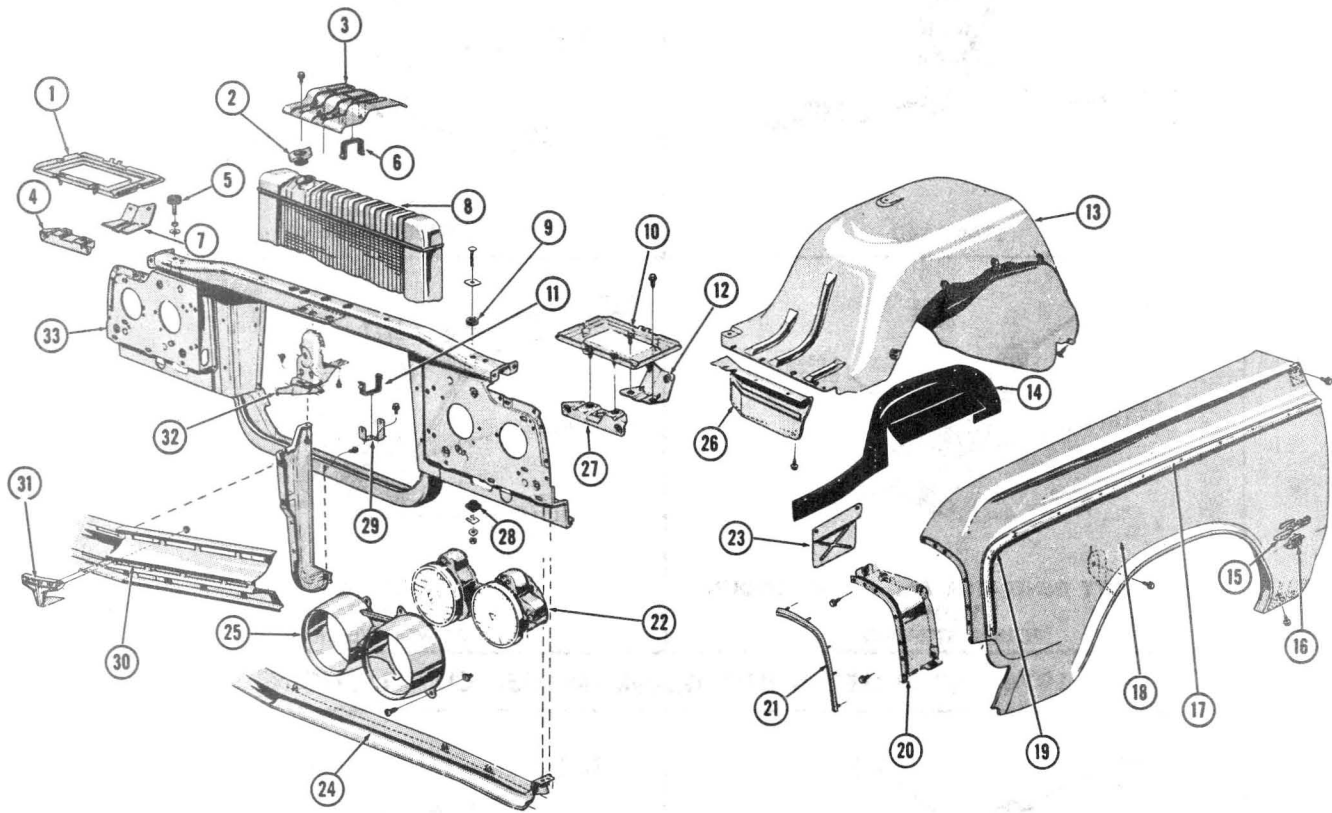
1973 PULLEY & BELT DIAGRAM — 455 CU. IN. ENGINE



1974 "A" PULLEY & BELT DIAGRAM—350 CU. IN. ENGINE



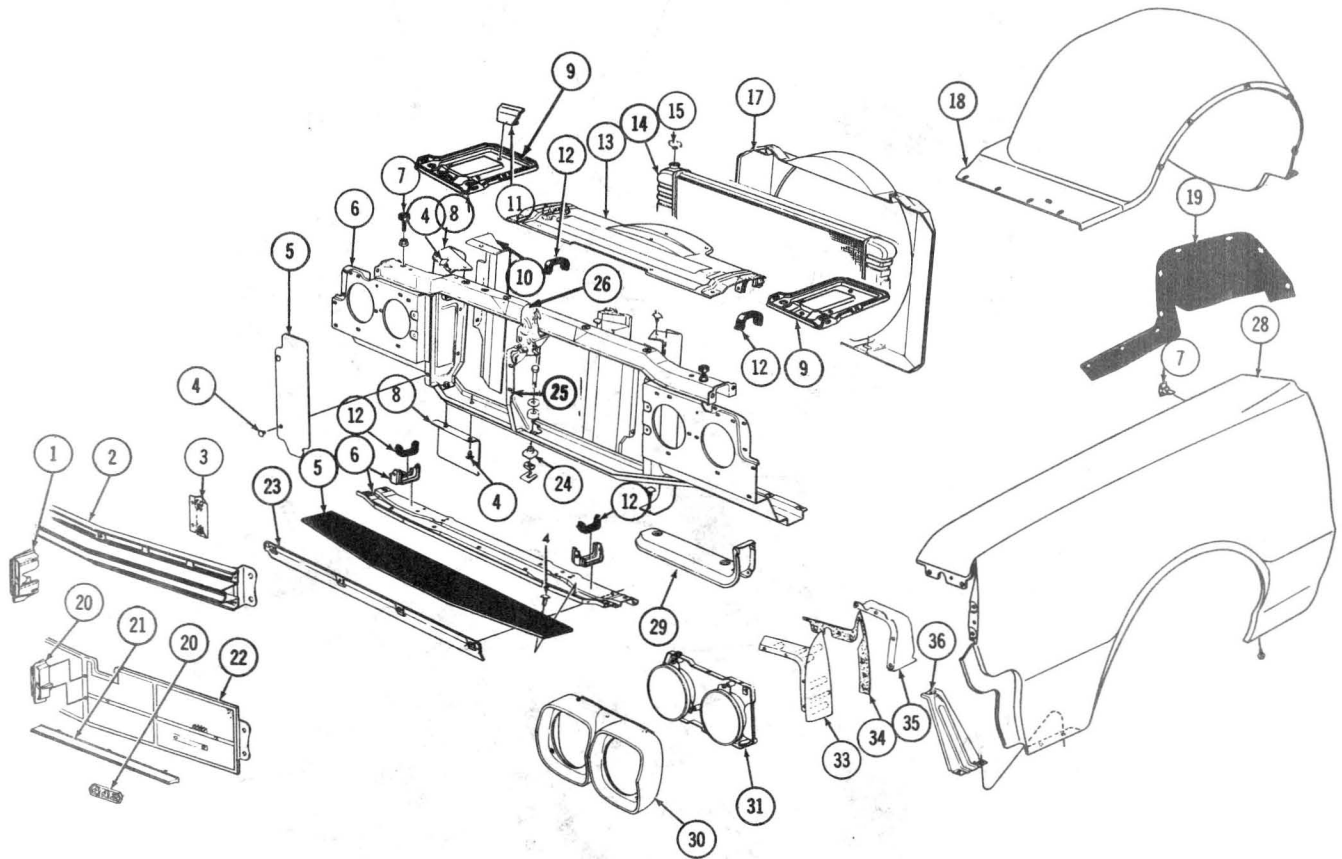
1974 PULLEY & BELT DIAGRAM—455 CU. IN. ENGINE



**1964-65 FRONT END SHEET METAL DETAIL
(TYPICAL)**

Key	Description	Group
1	Support, Battery	2.333
2	Cap, Radiator Pressure	1.203
3	Bracket, Radiator Support	1.270
4	Bracket, Battery Support Front	2.333
5	Bumper, Hood	8.024
6	Insulator, Radiator Support Bracket	1.270
7	Bracket, Battery Support Rear	2.333
8	Radiator Assembly	1.219
9	Insulator, Radiator Side Support to Frame	1.270
10	Support, Battery	2.333
11	Insulator, Radiator Support Bracket	1.270
12	Bracket, Battery Support Rear	2.333
13	Skirt, Front Fender	8.153
14	Seal, Filler Plate	8.154
15	Script, Front Fender	8.147
16	Emblem (Package) Front Fender V-8	8.147
17	Moulding, Front Fender Side—Rear	8.132

Key	Description	Group
18	Fender, Front	8.130
19	Moulding, Front Fender Side—Front	8.132
20	Extension, Radiator Stone Shield	7.833
21	Moulding, Front Fender Front	8.132
22	Headlamp	2.725
23	Plate, Engine to Frame Filler	8.112
24	Shield, Radiator Stone	7.833
25	Door, Headlamp	2.728
26	Baffle, Front Bumper	7.836
27	Bracket, Battery Support—Front	2.333
28	Insulator, Radiator Side Support to Frame	1.270
29	Bracket, Radiator Support	1.270
30	Grille, Radiator	1.266
31	Ornament or Emblem, Radiator Grille or Screen	1.303
32	Latch, Hood	8.080
33	Support, Radiator	1.270

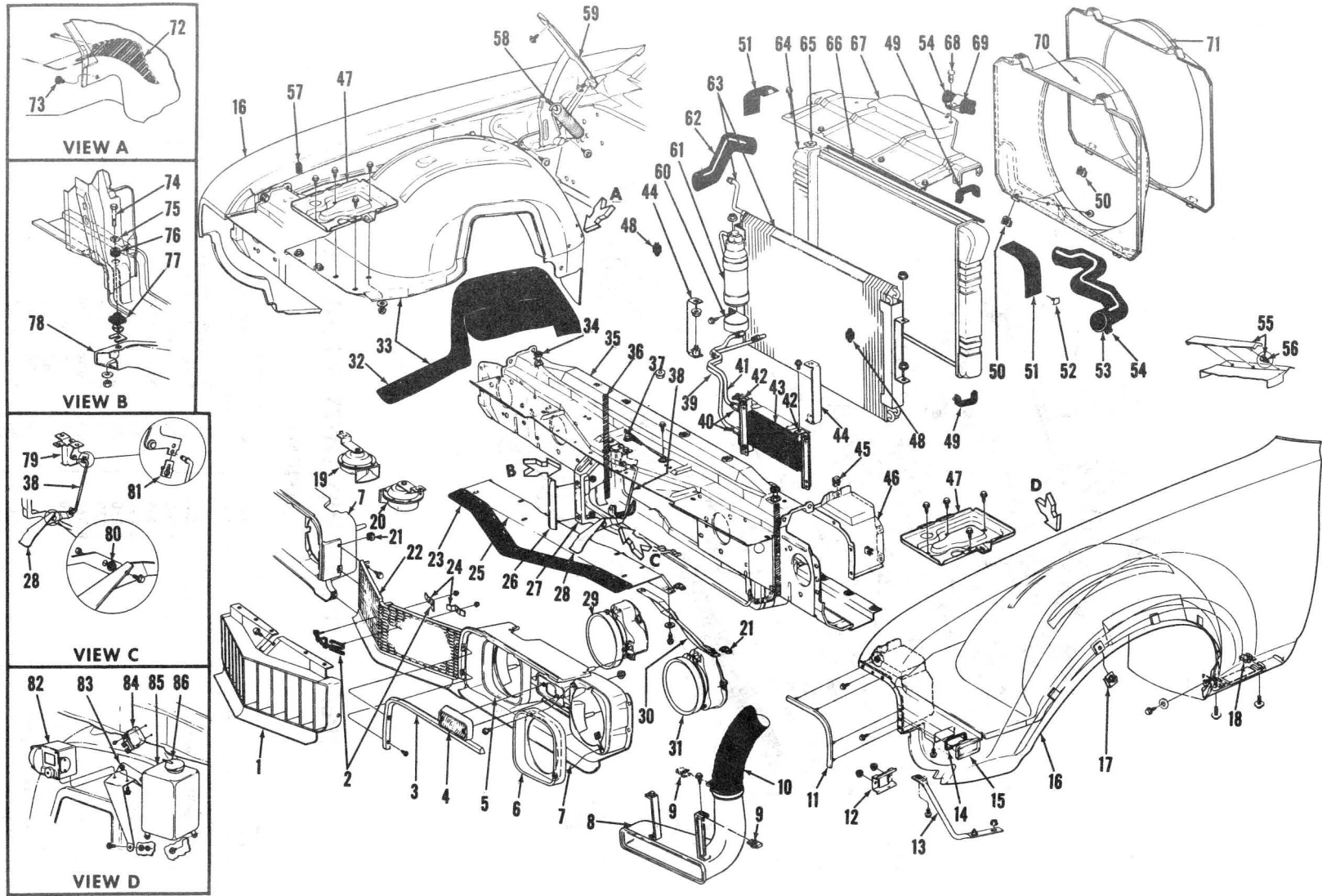


1966-67 FRONT END SHEET METAL DETAIL
(TYPICAL)

Key	Description	Group
1	Retainer, Radiator Grille—Centre	1.266
2	Grille, Radiator	1.266
3	Bracket, Radiator Grille	1.266
4	Clip, Filler Plate Seal	8.154
5	Seal, Radiator	1.270
6	Support, Radiator	1.270
7	Bumper, Hood Panel—Front	8.024
8	Seal, Radiator	1.270
9	Support, Battery	2.333
10	Extension, Radiator Side Support	1.272
11	Insert, Battery Support	2.333
12	Insulator, Radiator Support Bracket	1.270
13	Support, Radiator—Upper	1.270
14	Radiator Assembly	1.219
15	Cap, Radiator Pressure	1.203
17	Shroud, Fan	1.277

Key	Description	Group
18	Skirt, Front Fender	8.154
19	Seal, Filler Plate	8.154
20	Ornament or Emblem, Radiator Grille or Screen	1.303
21	Bar, Radiator Grille	1.268
22	Screen, Radiator	1.266
23	Deflector, Radiator—Lower	1.272
24	Mount, Body—Radiator to Frame	9.023
25	Support, Hood Latch and Tie Bar	8.080
26	Latch, Hood	8.080
28	Fender, Front	8.130
29	Shield, Radiator Stone	7.833
30	Door, Headlamp	2.728
31	Headlamp	2.725
33	Extension, Front Fender	8.131
34	Gasket, Extension to Front Fender	8.154
35	Extension, Radiator Stone Shield	7.833
36	Bracket, Lower Tie Bar to Fender	8.141

1968 - F85 FRONT END SHEET METAL DETAILS



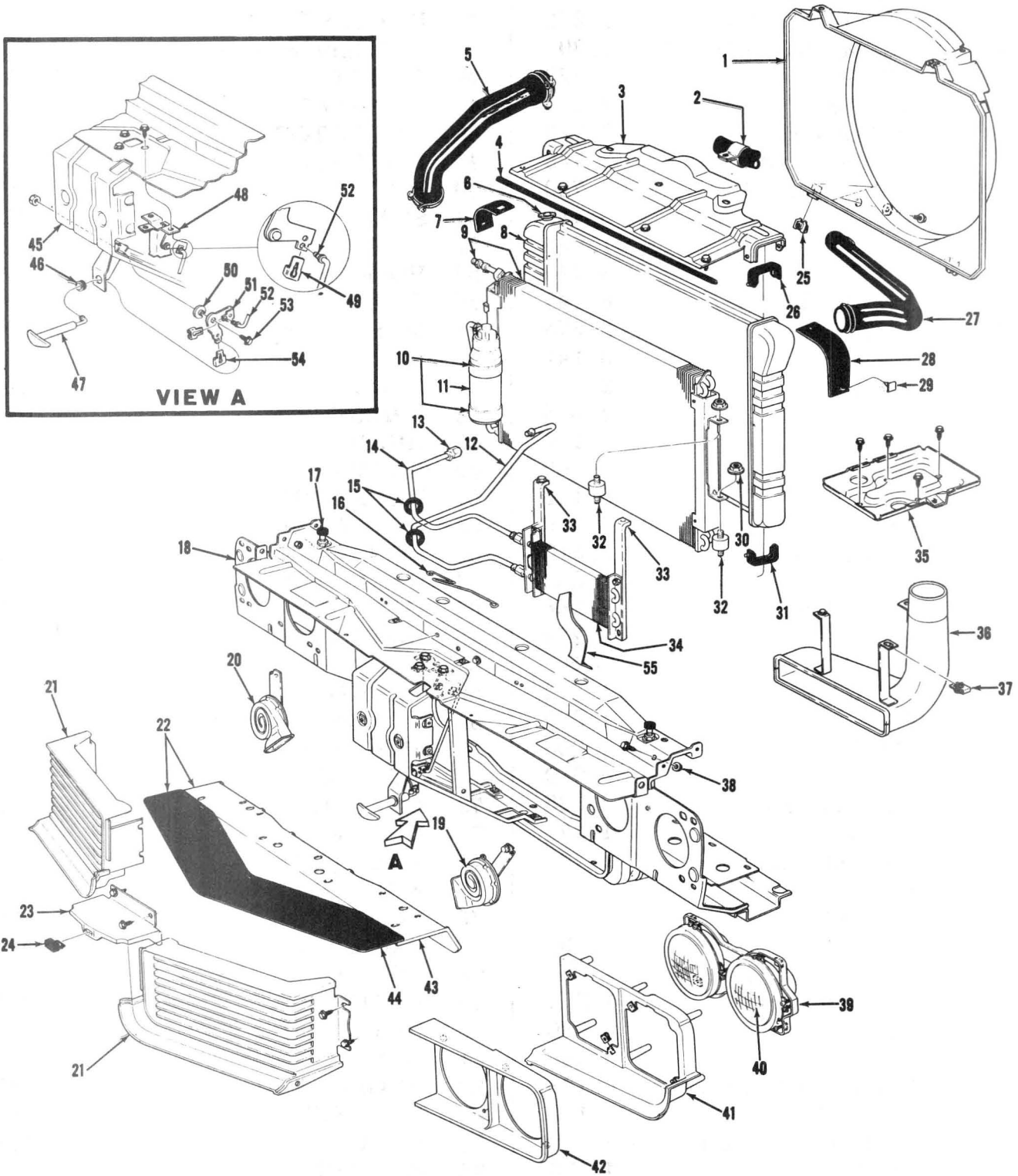


F85
OLDSMOBILE

PARTS CATALOGUE

1968 F-85 FRONT END SHEET METAL DETAILS

Key	Description	Group	Key	Description	Group
1	GRILLE (exc. "442")	1.266	44	BRACKET	9.190
2	EMBLEM PKG. ("442")	1.303	45	NUT (spring type)	1.266
3	MLDG. PKG.	2.728	46	FILLER	8.131
4	LAMP ASSY.	2.585	47	SUPPORT	2.333
5	DOOR (inboard)	2.728	48	INSULATOR	9.190
6	DOOR (outboard)	2.728	49	INSULATOR	1.270
7	SUPPORT (R. H.)	2.720	50	NUT	1.266
8	DUCT	3.417	51	SEAL	1.274
9	NUT	1.266	52	CLIP	1.270
10	HOSE	3.714	53	HOSE (inlet)	1.173
11	MLDG. PKG. (frt.)	8.147	54	CLAMP	1.166
12	BRACKET	2.575	55	MLDG., upper rear	8.147
13	BRACE	8.141	56	NUT	8.147
14	GASKET	2.575	57	BUMPER	8.024
15	LAMP	2.575	58	SPRING	8.013
16	FENDER	8.130	59	HINGE	8.015
17	NUT	8.160	60	CLAMP	9.195
18	NUT	8.143	61	RECEIVER	9.195
19	HORN (high note)	2.810	62	HOSE (outlet)	1.173
20	HORN (low note)	2.810	63	CONDENSER	9.190
21	NUT	1.266	64	RADIATOR	1.219
22	GRILLE, "442"	1.266	65	CAP	1.203
23	SEAL	1.274	66	INSULATOR (upr. & lwr.)	1.270
24	PLATE	N. S. S.	67	SUPPORT	1.270
25	DEFLECTOR	1.272	68	FASTENER	1.160
26	CAP	1.270	69	CLAMP	1.166
27	SUPPORT	8.080	70	SHROUD (V8)	1.277
28	LEVER	8.080	71	SHROUD (L6)	1.277
29	LAMP (inboard)	2.725	72	BAFFLE	8.160
30	EXTENSION	1.272	73	BUMPER	8.160
31	LAMP (outboard)	2.725	74	BOLT (7/16-14 x 2 3/4")	8.900
32	SEAL	8.154	75	WASHER (31/32 x 1 5/8")	N. L.
33	SKIRT ASSY.	8.153	76	INSULATOR (rd.)	1.270
34	BUMPER	8.024	77	INSULATOR	1.270
35	SUPPORT ASSY.	1.270	78	FRAME	7.003
36	SEAL, side supt.	1.274	79	LATCH	8.080
37	SPRING	8.080	80	BUSHING	8.080
38	ROD	8.080	81	CLIP	8.080
39	PIPE (cooler to trans.)	4.128	82	REGULATOR	3.885
40	UNION (5/16")	4.128	83	BRACKET	3.885
41	PIPE (rad. to cooler)	4.128	84	BLOCK	2.815
42	BRACKET	4.128	85	JAR ASSY.	10.154
43	COOLER ASSY.	4.128	86	CAP	10.154



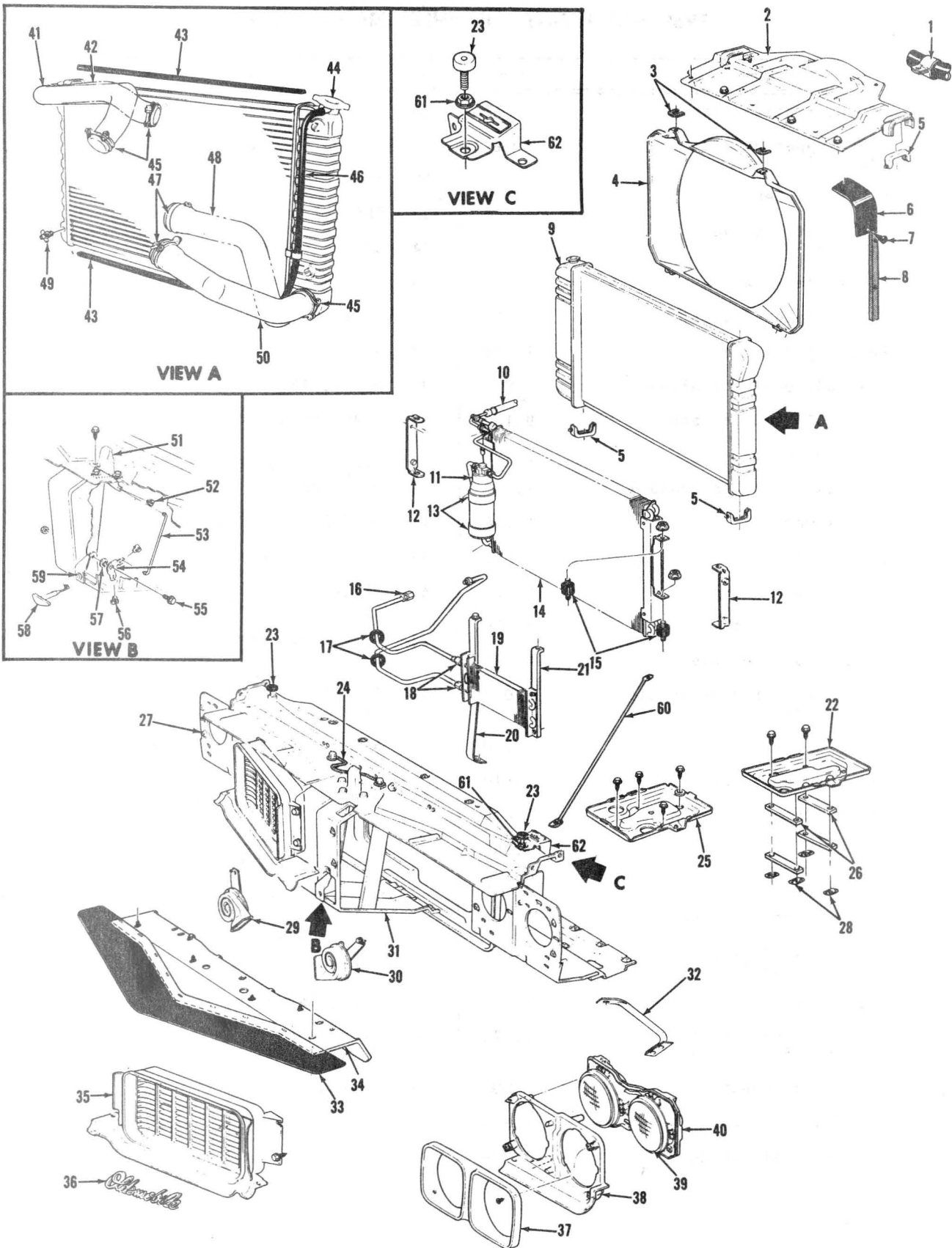
1969 F-85 FRONT END SHEET METAL



1969 F-85 FRONT END SHEET METAL DETAILS

Key	Description	Group
1	SHROUD, radiator fan	1.277
2	CLAMP, upper hose supt. (plastic)	1.166
3	SUPPORT, upper	1.270
4	SEAL, supt. to rad. (45" x 5/8")	1.270
5	HOSE (outer-lower)	1.173
6	CAP, radiator filler	1.203
7	SEAL, upper support	1.274
8	RADIATOR, engine cooling	1.219
9	CONDENSOR, refrigerant	9.190
10	CLAMP, mounting	9.195
11	RECEIVER (inc. dehydrator)	9.195
12	PIPE, lower	4.128
13	UNION (5/16")	8.963
14	PIPE, upper	4.128
15	GROMMET, evap. pipe	9.775
16	SPRING, hood release	8.080
17	BUMPER (frt. & rear-on tie bar & dash)	8.024
18	SUPPORT (complete)	1.270
19	HORN (low note w/brkt.)	2.810
20	HORN (high note w/brkt.)	2.810
21	GRILLE	1.266
22	DEFLECTOR ASSY.	1.272
23	SHIELD, stone (center)	7.833
24	BUMPER, center stone shield (rubber)	7.833
25	SPRING NUT	1.160
26	INSULATOR, rad. brkt. (rubber 5 5/8" long)	1.270
27	HOSE (inlet-upper)	1.173
28	SEAL, upper support	1.274
29	CLIP, seal attaching	1.270

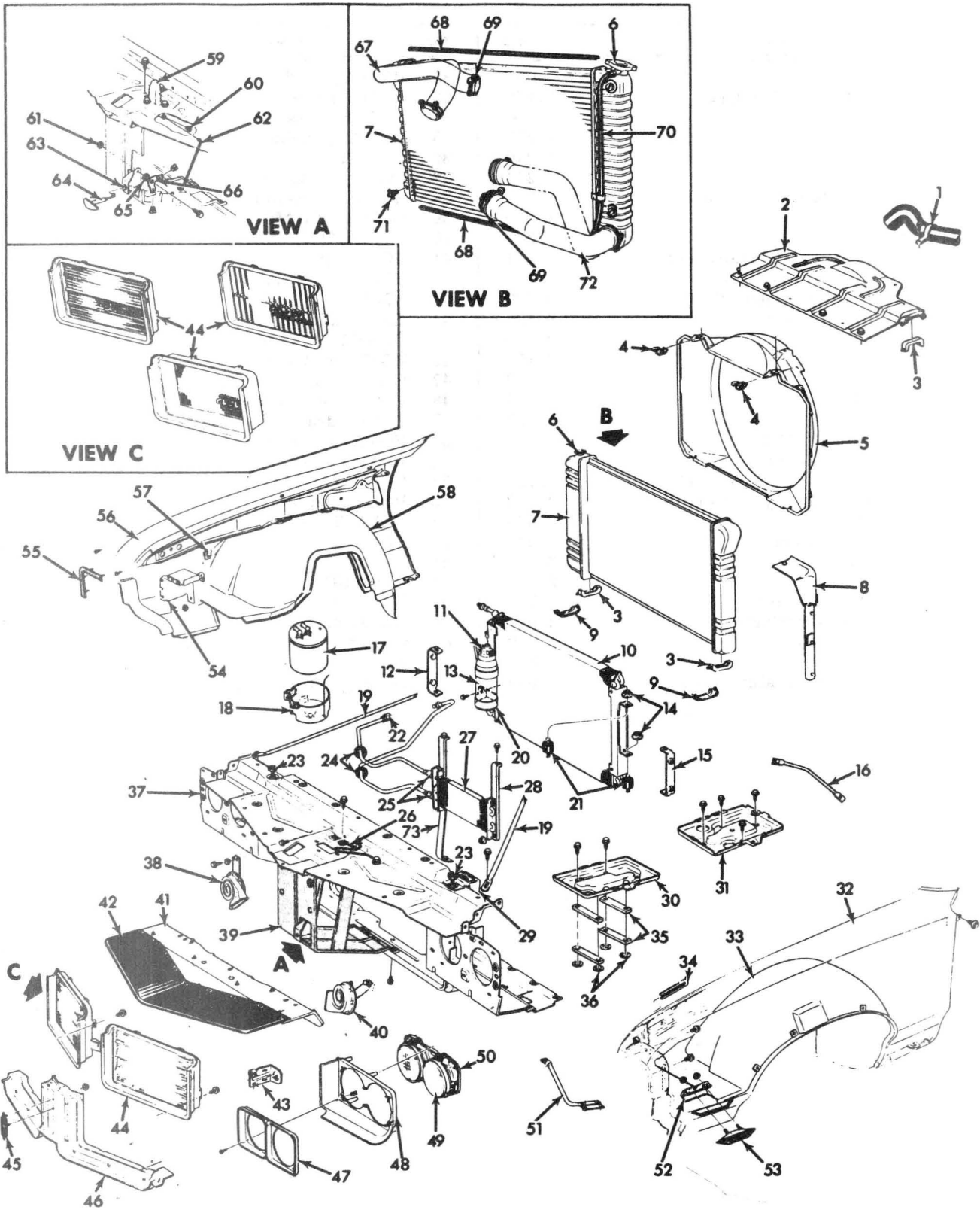
Key	Description	Group
30	NUT (5/16" - 18)	8.915
31	INSULATOR, rad. brkt. lower	1.270
32	INSULATOR, refrigerant	9.190
33	BRACKET, aux. cooler mtg.	4.128
34	COOLER ASSY., aux.	4.128
35	SUPPORT, battery	2.333
36	DUCT	3.417
37	NUT (5/16" - 18)	8.917
38	NUT (5/16"- 18)	8.915
39	HEADLAMP ASSY. (less door)	2.725
40	SEALED BEAMED UNIT, headlamp	2.727
41	HOUSING, headlamp	2.726
42	DOOR, headlamp	2.728
43	DEFLECTOR, air (lower- plastic w/seal)	1.272
44	SEAL, air deflector to bumper	1.274
45	SUPPORT ASSY., hood release	8.080
46	RETAINER, latch handle (nylon)	8.080
47	HANDLE, hood release	8.080
48	LATCH	8.080
49	CLIP, rod lock	8.080
50	BUSHING, lever (plastic)	8.080
51	BELLCRANK, release	8.080
52	ROD, release	8.080
53	BOLT, lever to support	8.080
54	CLIP, hood release lever or rod lock	8.080
55	BRACE, aux. cooler (see print)	4.128



1970 F85 FRONT END SHEET METAL

1970 F-85 FRONT END SHEET METAL DETAILS

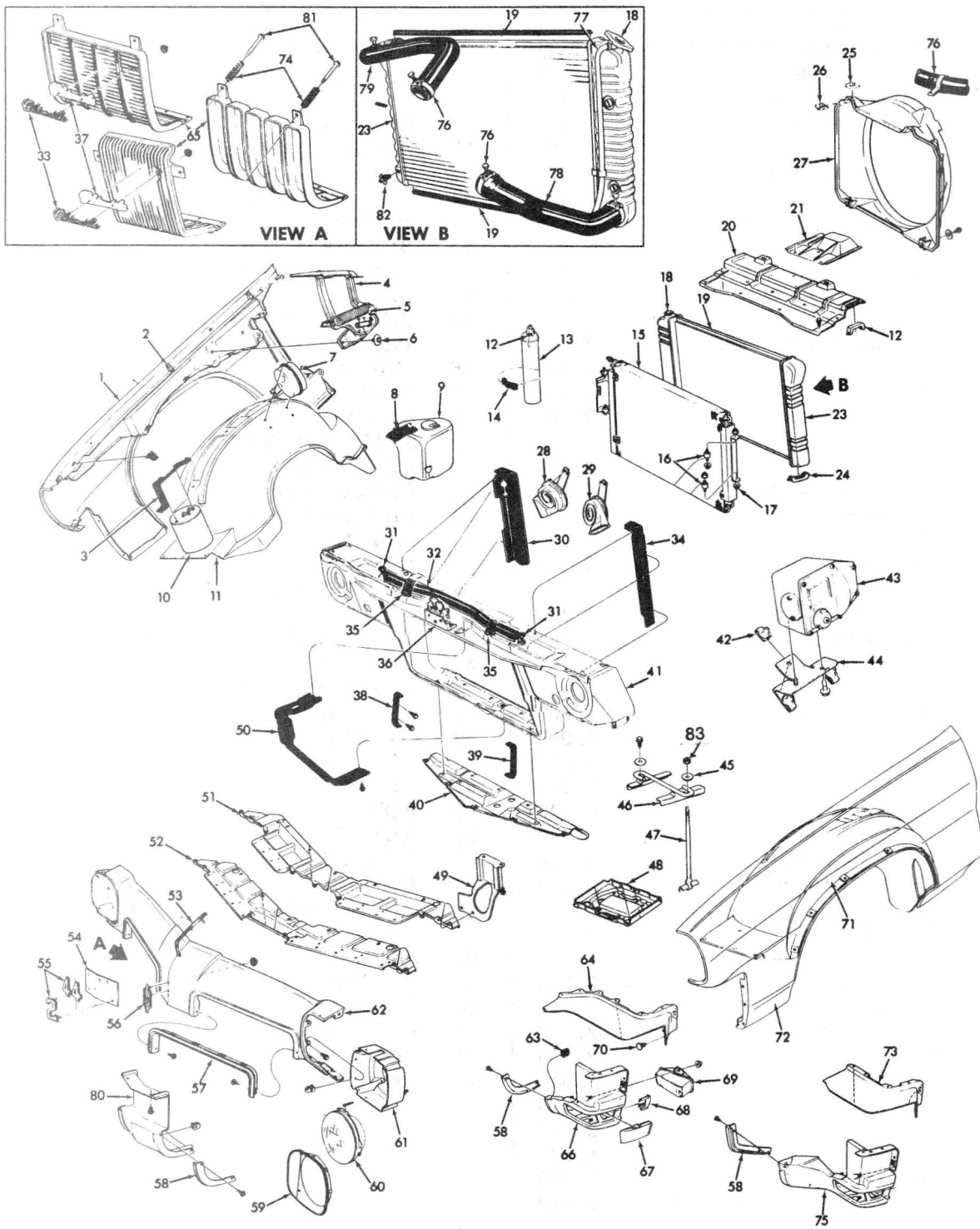
Key	Description	Group	Key	Description	Group
1	CLAMP, inlet hose	1.166	32	BRACE, fender	8.141
2	SUPPORT, radiator upper	1.270	33	SEAL, air deflector to bumper	1.274
3	SHIM	NL	34	DEFLECTOR, radiator air lower	1.272
4	SHROUD, fan	1.277	35	GRILLE, radiator	1.266
5	INSULATOR	1.270	36	SCRIPT	1.303
6	SEAL	1.274	37	DOOR, headlamp	2.728
7	CLIP, seal to side support	1.270	38	HOUSING, headlamp	2.726
8	SEAL	1.270	39	SEALED BEAM UNIT	2.727
9	RADIATOR	1.219	40	HEADLAMP ASSY.	2.725
10	HOSE, receiver to evaporator	9.231	41	HOSE, upper inlet	1.173
11	RECEIVER, dehydrator	9.195	42	HOSE, upper inlet	1.173
12	BRACKET, side support	9.190	43	SEAL	8.021
13	BRACKET, receiver	9.196	44	CAP, radiator	1.203
14	CONDENSER	9.190	45	CLAMP, radiator hose	1.166
15	INSULATOR	9.190	46	HOSE, overflow	1.240
16	UNION	8.963	47	CLAMP, radiator hose	1.166
17	GROMMET	9.775	48	HOSE, lower outlet	1.173
18	UNION	4.128	49	COCK, drain	8.951
19	OIL COOLER ASSY.	4.128	50	HOSE, lower outlet	1.173
20	BRACE, oil cooler	4.128	51	LATCH, hood	8.080
21	BRACKET, oil cooler mounting	4.128	52	CLIP	8.080
22	SUPPORT, battery (455 engine)	2.333	53	ROD, hood latch release	8.080
23	BUMPER	8.024	54	BELLCRANK	8.080
24	SPRING, hood release	8.080	55	BOLT	8.080
25	SUPPORT, battery	2.333	56	CLIP	8.080
26	SPACER	2.335	57	BUSHING	8.080
27	SUPPORT, radiator	1.270	58	HANDLE	8.080
28	NUT (5/16" - spring)	8.921	59	RETAINER	8.080
29	HORN (hi-note)	2.810	60	BRACE, shroud to tie bar	1.277
30	HORN (lo-note)	2.810	61	NUT (5/16" - 18)	8.915
31	SUPPORT, hood latch (welded)	8.080	62	BRACKET, hood lock (OAI)	8.080



1971 FRONT END SHEET METAL
 (TYPICAL OF 1972)

**1971 FRONT END SHEETMETAL DETAILS
(TYPICAL OF 1972)**

Key	Description	Group	Key	Description	Group
1	CLAMP, inlet hose	1.166	39	SUPPORT, hood latch (welded)	8.080
2	BAFFLE, radiator upper	1.272	40	HORN, low note	2.810
3	INSULATOR, radiator brkt.	1.270	41	DEFLECTOR, radiator air lower	1.272
4	NUT	8.160	42	SEAL, air deflector to bumper	1.274
5	SHROUD, radiator fan	1.277	43	BRACKET, grille to support (exc. 4400 series)	1.266
6	CAP, radiator filler	1.203	44	GRILLE	1.266
7	RADIATOR ASSY., engine cooling	1.219	45	EMBLEM PKG., stone shield	1.303
8	SEAL, side	1.274	46	SHIELD, stone	7.833
9	INSULATOR, radiator brkt. (lower)	1.272	47	DOOR, headlamp	2.728
10	CONDENSER, refrigerant	9.190	48	HOUSING, headlamp	2.726
11	GASKET	9.211	49	SEALED BEAM UNIT	2.727
12	BRACKET, side support	9.190	50	HEADLAMP ASSY.	2.725
13	RECEIVER (inc. de- hydrator)	9.195	51	BRACE, fender	8.141
14	NUT (5/16" - 18)	8.915	52	BRACKET, marker lamp mounting	2.575
15	BRACKET, side support	9.190	53	LAMP ASSY., side marker	2.575
16	BRACE, fender	8.141	54	FILLER, fender to side baffle	8.131
17	CANISTER	3.130	55	MLDG. PKG., fender front	8.147
18	BRACKET, canister mounting	3.130	56	FENDER	8.130
19	BRACE, shroud to tie bar (4800 series only)	1.277	57	NUT (5/16" - 18 spring type)	1.266
20	BRACKET, receiver mounting	9.195	58	SKIRT, front fender	8.153
21	INSULATOR	9.190	59	LATCH, hood	8.080
22	UNION	8.963	60	CLIP	8.080
23	BUMPER	8.024	61	NUT	8.917
24	GROMMET	9.775	62	ROD, hood latch release	8.080
25	UNION	4.128	63	RETAINER	8.080
26	SPRING, hood release	8.080	64	HANDLE	8.080
27	AUX. OIL COOLER	4.128	65	BUSHING	8.080
28	BRACKET, oil cooler mounting	4.128	66	BELLCRANK	8.080
29	BRACKET, hood lock (O. A. I.)	8.080	67	HOSE, upper inlet	1.173
30	SUPPORT, battery (455 cu. in.)	2.333	68	SEAL	1.270
31	SUPPORT, battery	2.333	69	CLAMP, radiator hose	1.166
32	FENDER	8.130	70	HOSE, overflow	1.240
33	SKIRT, front fender	8.153	71	COCK, drain	8.951
34	SHIM	1.270	72	HOSE, lower outlet	1.173
35	SPACER	2.335	73	BRACE, aux. oil cooler	4.128
36	RETAINER	6.672			
37	SUPPORT, radiator	1.270			
38	HORN, high note	2.810			



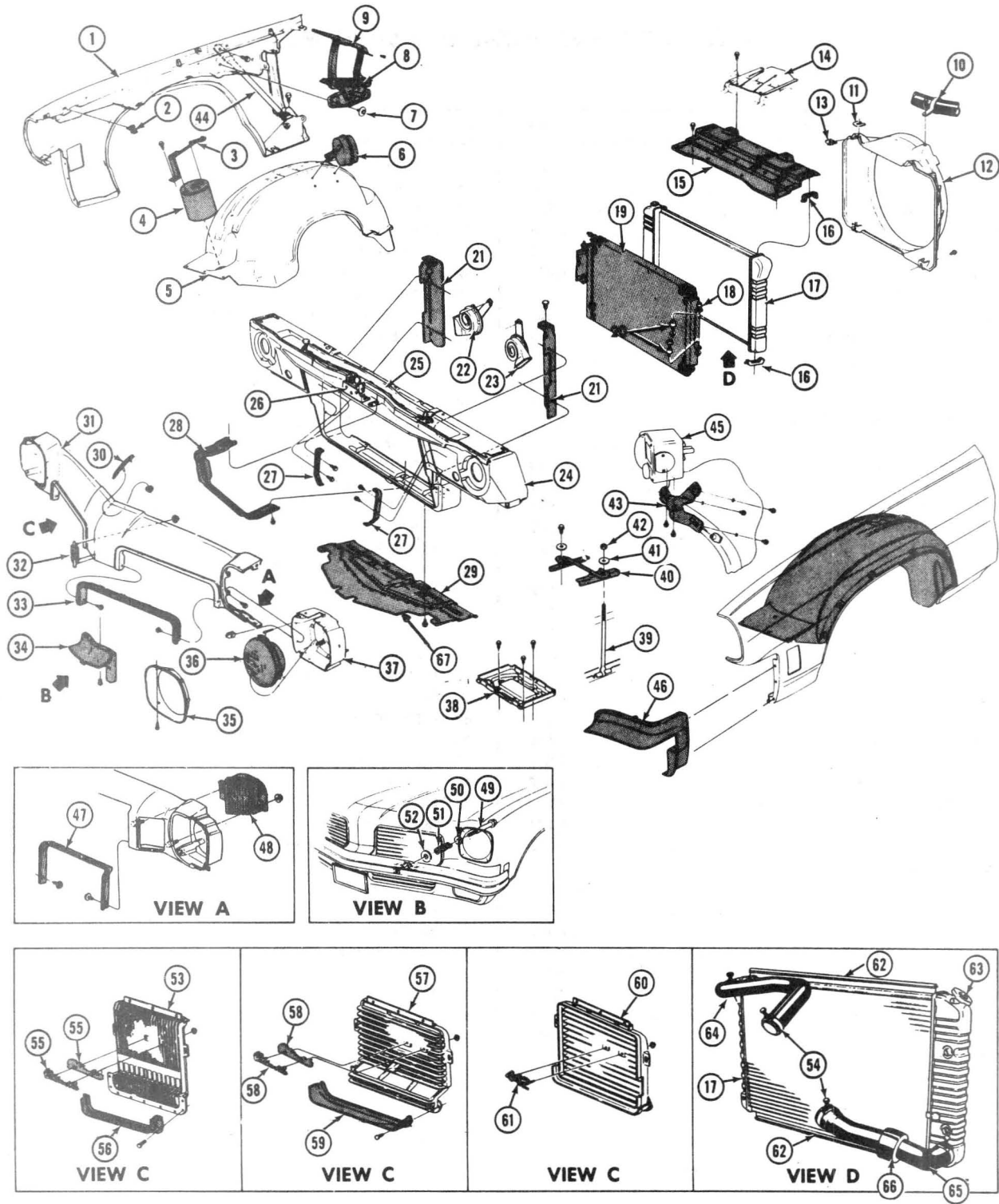
1973 A SERIES FRONT END SHEETMETAL



1973 "A" SERIES FRONT END SHEET METAL

Key	Description	Group
1	FENDER	8.130
2	BUMPER	8.024
3	STRAP, Canister	3.130
4	HINGE	8.015
5	SPRING	8.013
6	SCREW	8.016
7	TANK ASSY., Vacuum	9.281
8	BRACKET	1.203
9	RESERVOIR & CAP ASSY.	1.240
10	CANISTER ASSY., Fuel	3.130
11	PLATE, Filler	8.160
12	GASKET	9.211
13	RECEIVER, (including Dehydrator)	9.195
14	CLAMP	9.196
15	CONDENSER, Refrigerant	9.190
16	INSULATOR	9.190
17	NUT, (5/16 x 18)	8.915
18	CAP, Radiator Filler	1.203
19	SEAL, Radiator	1.270
20	SUPPORT ASSY.	1.270
21	GUARD, Upper Fan	1.277
22	INSULATOR	1.270
23	RADIATOR	1.219
24	HOSE, Radiator Inlet	1.159
25	SHIM	6.178
26	NUT	8.160
27	SHROUD, Radiator Fan	1.277
28	HORN, Low Note	2.810
29	HORN, High Note	2.810
30	SEAL, Radiator Side R.H.	1.270
31	SEAL, Radiator Side L.H.	1.270
32	SEAL, Upper	8.021
33	SCRIPT, Oldsmobile	1.303
34	SEAL, Radiator Side L.H.	1.270
35	SPRING	8.080
36	LATCH ASSY., Hood	8.080
37	BACKING PLATE	N.L.
38	BRACKET, Condenser	9.190
39	SCREW	8.917
40	DEFLECTOR, Radiator	1.272
41	SUPPORT ASSY., Radiator	1.270
42	U-NUT (5/16 x 18)	8.921
43	REGULATOR	3.885

Key	Description	Group
44	BRACKET	3.880
45	WASHER	6.897
46	RETAINER ASSY.	2.335
47	BOLT	2.334
48	SUPPORT, Battery	2.333
49	BAFFLE, Lower Tie Bar	1.272
50	SUPPORT ASSY.	1.270
51	BAR, Lower Grille Tie (AF, AG)	1.266
52	BAR, Lower Grille Tie (AJ)	1.266
53	MOLDING	1.303
54	PLATE, Numeral Backing	N.L.
55	NUMERALS	8.039
56	EMBLEM PKG.	1.303
57	MOLDING	1.303
58	MOLDING, Valance Panel	1.263
59	HEADLAMP DOOR	2.728
	NUT, Door Reg.	2.729
60	SEALED BEAM UNIT	2.727
61	HOUSING ASSY.	2.726
62	PANEL ASSY., Front End	1.263
63	U-NUT (8 x 18)	8.921
64	FILLER, Bar to Fender	7.831
65	GRILLE	1.266
66	PANEL, Valance Outer	1.263
67	LAMP, Side Marker	2.575
68	CLIP	2.575
69	LAMP, Park & Turn	2.585
70	CLIP	7.833
71	FILLER PLATE	8.160
72	FENDER	8.130
73	FILLER	7.831
74	SPRING, Bar to Fender	1.268
75	PANEL, Valance Outer	1.263
76	HOSE, Upper	1.159
77	HOSE, Overflow	1.240
78	HOSE, Lower	1.173
79	CLAMP	1.166
80	PANEL, Valance Center	1.263
81	BOLT, to Grille Bracket	1.268
82	DRAIN COCK	1.229
83	NUT	8.917

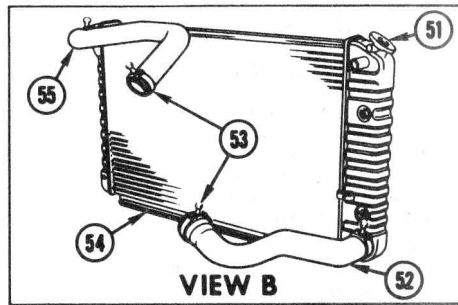
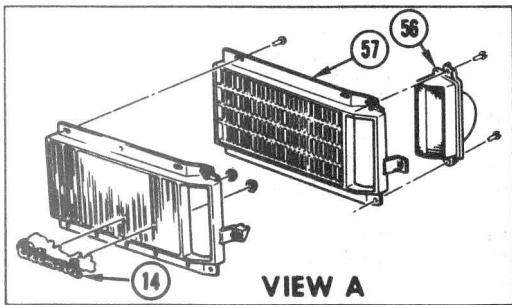
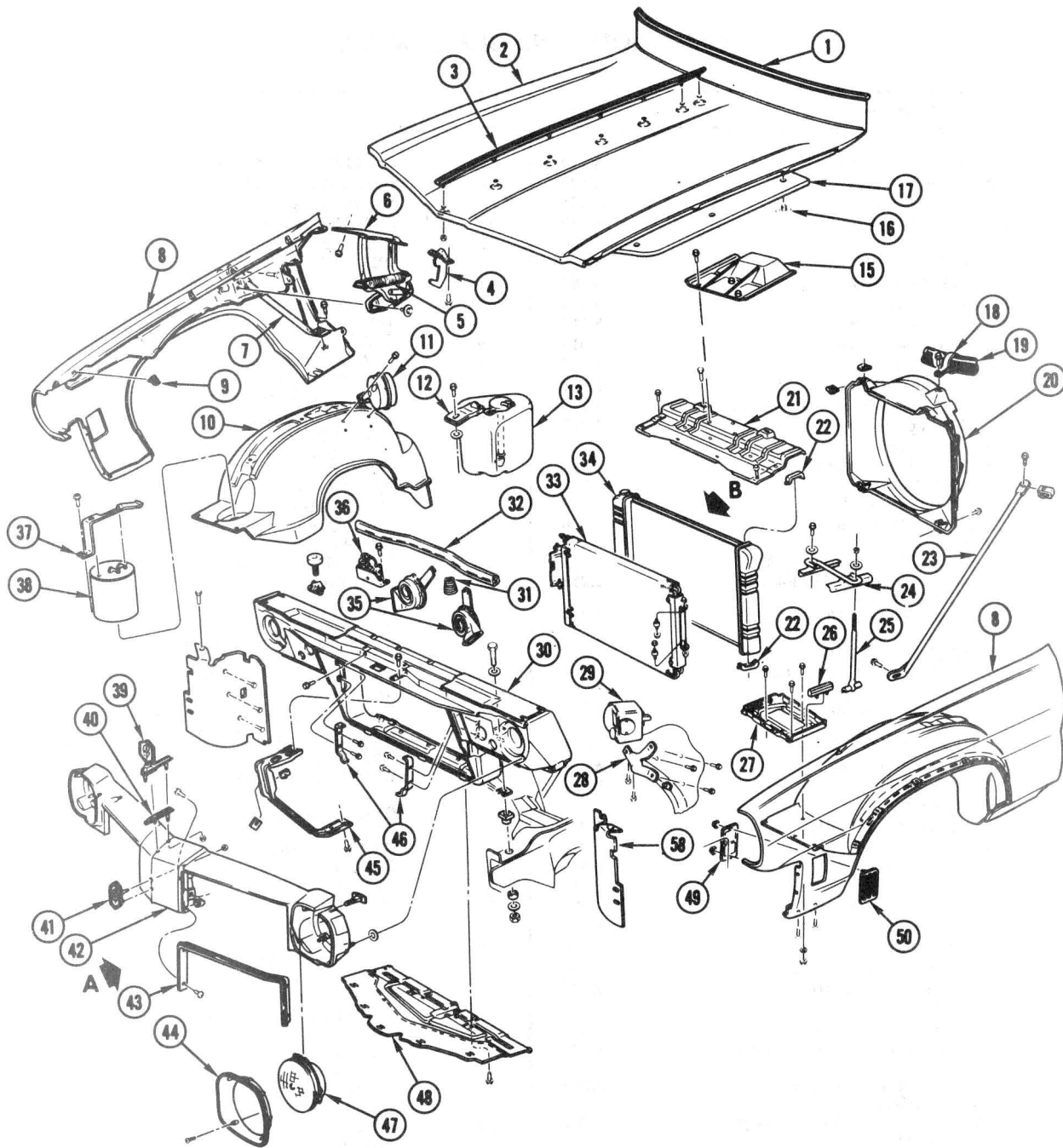


1974 FRONT END SHEET METAL



1974 FRONT END SHEET METAL

Key	Description	Group	Key	Description	Group
1	FENDER, front (RH)	8.130	36	SEALED BEAM, headlamp	2.727
	FENDER, front (LH)	8.130	37	HOUSING, headlamp (RH)	2.726
2	BUMPER, hood	8.024		HOUSING, headlamp (LH)	2.726
3	STRAP, canister	3.130	38	SUPPORT, battery	2.333
4	CANISTER	3.130	39	BOLT, battery hold down	2.334
5	PLATE, filler (RH)	8.153	40	RETAINER, battery	2.335
	PLATE, filler (LH)	8.153	41	WASHER, battery hold down	2.334
6	TANK, vacuum	8.281	42	NUT, battery hold down (5/16" 18)	8.917
7	SCREW, hinge to fender	8.016	43	BRACKET, regulator mounting	3.885
8	SPRING, hood hinge	8.013	44	BRACE, lower reinforcement to joint line reinforcement	8.141
9	HINGE, hood (RH)	8.015	45	REGULATOR, cruise control	3.885
	HINGE, hood (LH)	8.015	46	FILLER, bumper to F.E.P. (RH) (AG37 Opt. W29, AF, AG)	7.831
10	CLAMP, upper radiator hose support	1.166		FILLER, bumper to F.E.P. (LH) (AG37 Opt. W29, AF, AG)	7.831
11	SHIM, support to shroud	1.277		FILLER, bumper to F.E.P. (RH) (AH, AJ AG37 exc. Opt. W29)	7.831
12	SHROUD, fan	1.277		FILLER, bumper to F.E.P. (LH) (AH, AJ AG37 exc. Opt. W29)	7.831
13	NUT, fan shroud to upper baffle	8.160	47	MOULDING PACKAGE (AH, AJ, AG37 exc. Opt. W29) (RH)	1.303
14	GUARD, fan-upper	1.277		MOULDING PACKAGE (AH, AJ, AG37 exc. Opt. W29) (LH)	1.303
15	SUPPORT, upper	1.270	48	HOUSING, P. & T.S. (AH, AJ, AG37 exc. Opt. W29) (RH)	2.585
16	INSULATOR, radiator (exc. Opt. Y72)	1.270		HOUSING, P. & T.S. (AH, AJ, AG37 exc. Opt. W29) (LH)	2.585
	INSULATOR, radiator (Opt. Y72)	1.270	49	BOLT, grille spring to reinforcement	1.266
17	RADIATOR, Code R-CI (350 Eng. exc. C.A.C. Opt. Y72)	1.219	50	WASHER (25/64" I.D. x 1" O.D.)	2.334
	RADIATOR, Code ZR (AH, AJ35 350 Eng. exc. C.A.C., Opt Y72)	1.219	51	SPRING, grille	1.266
	RADIATOR, Code OG (350 Eng. C.A.C. exc. Opt. Y72, 455 Eng. exc. C.A.C., Opt. Y72)	1.219	52	WASHER, grille to return spring bolt	1.266
	RADIATOR (455 Eng. C.A.C. exc. Opt. Y72)	1.219	53	GRILLE, radiator (RH) (AG37 exc. Opt. W29, AH, AJ)	1.266
	RADIATOR (Opt. Y72)	1.219		GRILLE, radiator (LH) (AG37 exc. Opt. W29, AH, AJ)	1.266
18	NUT, hex (5/16" - 18)	8.915	54	CLAMP (1-9/16" to 2-1/8")	1.166
19	CONDENSER	9.190	55	SCRIPT PACKAGE radiator grille (AH, AJ exc. Opt. W29)	1.803
20	INSULATOR	9.190	56	FILLER, grille to bumper (RH) (AH, AJ, AG37 exc. Opt. W29)	1.266
21	SEAL, radiator side (RH)	1.270		FILLER, grille to bumper (LH) (AH, AJ, AG37 exc. Opt. W29)	1.266
	SEAL, radiator side (LH)	1.270	57	GRILLE, radiator (RH) (AF, AG37 exc. Opt. W29)	1.266
22	HORN, low note	2.810		GRILLE, radiator (LH) (AF, AG37 exc. Opt. W29)	1.266
	HORN, high note	2.810	58	SCRIPT PACKAGE, radiator grille (AF, AG 29 exc. Opt. W29)	1.303
24	SUPPORT, radiator core	1.270	59	FILLER, grille to bumper (RH) (AF, AG37 exc. Opt. W29)	1.266
25	SEAL, hood	8.021		FILLER, grille to bumper (LH) (AF, AG37 exc. Opt. W29)	1.266
26	LATCH, hood	8.080	60	GRILLE, radiator (RH) (AF, AG37 Opt. W29)	1.266
27	BRACKET, condenser (RH)	9.190		GRILLE, radiator (LH) (AF, AG37 Opt. W29)	1.266
	BRACKET, condenser (LH)	9.190	61	SCRIPT PACKAGE, radiator grille (AF, AG37 Opt. W29)	1.303
28	SUPPORT, center	1.270	62	SEAL, radiator	1.270
29	DEFLECTOR, lower air	1.272	63	CAP, radiator filler (exc. Opt. Y72)	1.203
30	MOULDING PACKAGE, front end panel	1.303		CAP, radiator filler (Opt. Y72)	1.203
31	PANEL, front end (AG37 Opt. W29, AF, AG29)	1.263	64	HOSE, inlet	1.159
	PANEL, front end (AG37 exc. Opt. W29, AH, AJ)	1.263	65	HOSE, outlet	1.173
32	EMBLEM PACKAGE (AG37 Opt. W29, AF, AG29)	1.303	66	INSULATOR, outlet hose	1.173
	EMBLEM PACKAGE (AG37 exc. Opt. W29, AH, AJ)	1.303	67	SEAL, bumper to deflector	1.266
33	MOULDING PACKAGE (AG37 Opt. W29, AF, AG29) (RH)	1.303			
	MOULDING PACKAGE (AG37 Opt. W29, AF, AG29) (LH)	1.303			
34	FILLER, bumper to F.E.P. center (AG37 exc. Opt. W29, AH, AJ)	7.831			
	FILLER, bumper to F.E.P. center (AG37 Opt. W29, AF, AG29)	7.831			
35	DOOR, headlamp (AF, AG) (RH)	2.728			
	DOOR, headlamp (AF, AG) (LH)	2.728			
	DOOR, headlamp (AG37 exc. Opt. W29, AH, AJ) (RH)	2.728			
	DOOR, headlamp (AG37 exc. Opt. W29, AH, AJ) (LH)	2.728			

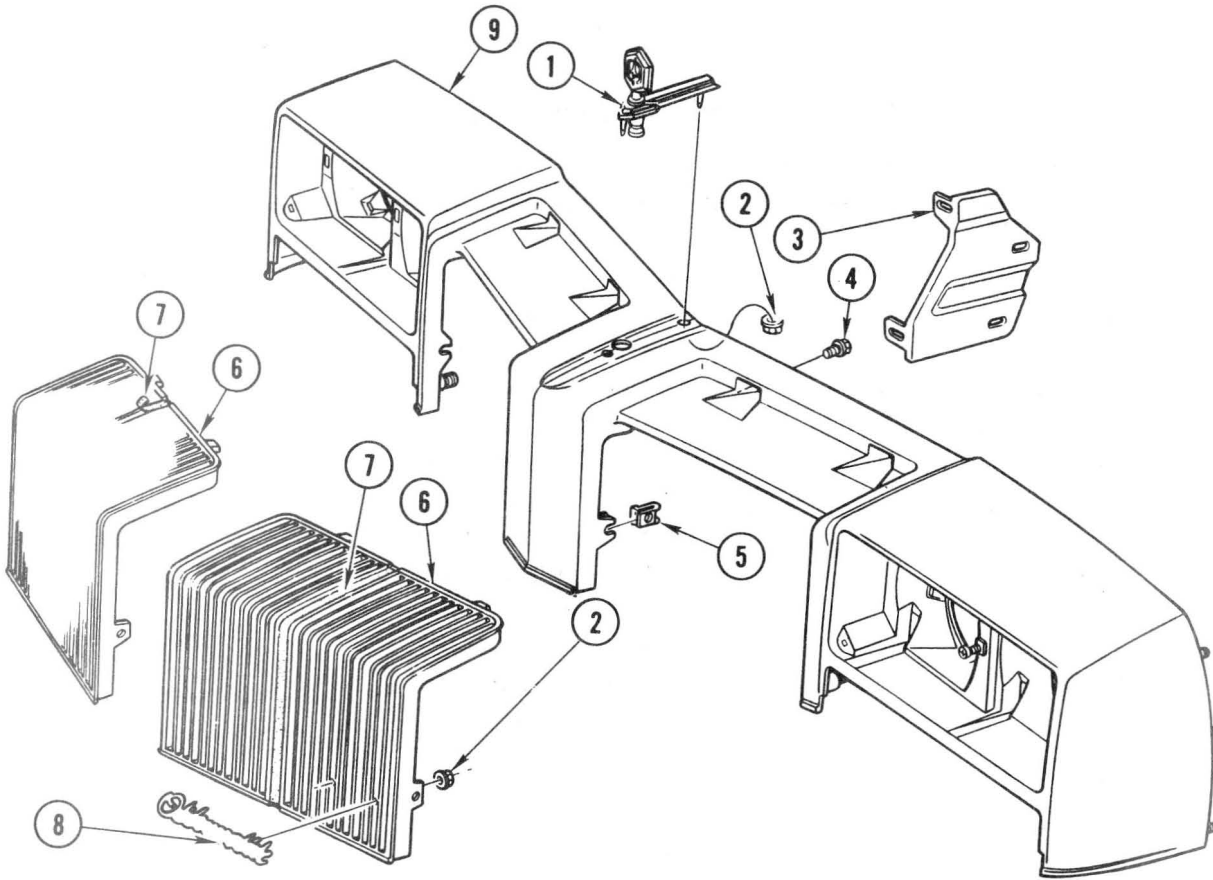


1975 A FRONT END SHEET METAL

1975 A FRONT END SHEET METAL

Key	Description	Group
1	MOLDING	8.055
2	HOOD	8.000
3	MOLDING	8.055
4	HOOK	8.080
5	SPRING	8.013
6	HINGE ASM.	8.015
7	BRACE	8.141
8	FENDER	8.130
9	BUMPER	8.024
10	PLATE	8.153
11	TANK ASM.	9.281
12	BRACKET	1.240
13	RESERVOIR & CAP ASM.	1.240
14	SCRIPT PKG.	1.303
	PLATE (part of Script Pkg.)	1.303
15	GUARD (V8)	1.277
16	RETAINER	8.021
17	INSULATOR	8.021
18	CLAMP	1.166
19	HOSE	1.173
20	SHROUD	1.277
21	SUPPORT ASM.	1.270
22	INSULATOR	1.270
23	BRACE	8.141
24	RETAINER ASM.	2.335
25	BOLT	2.334
26	SPACER	2.333
27	SUPPORT	2.333
28	BRACKET	3.885
29	REGULATOR	3.885

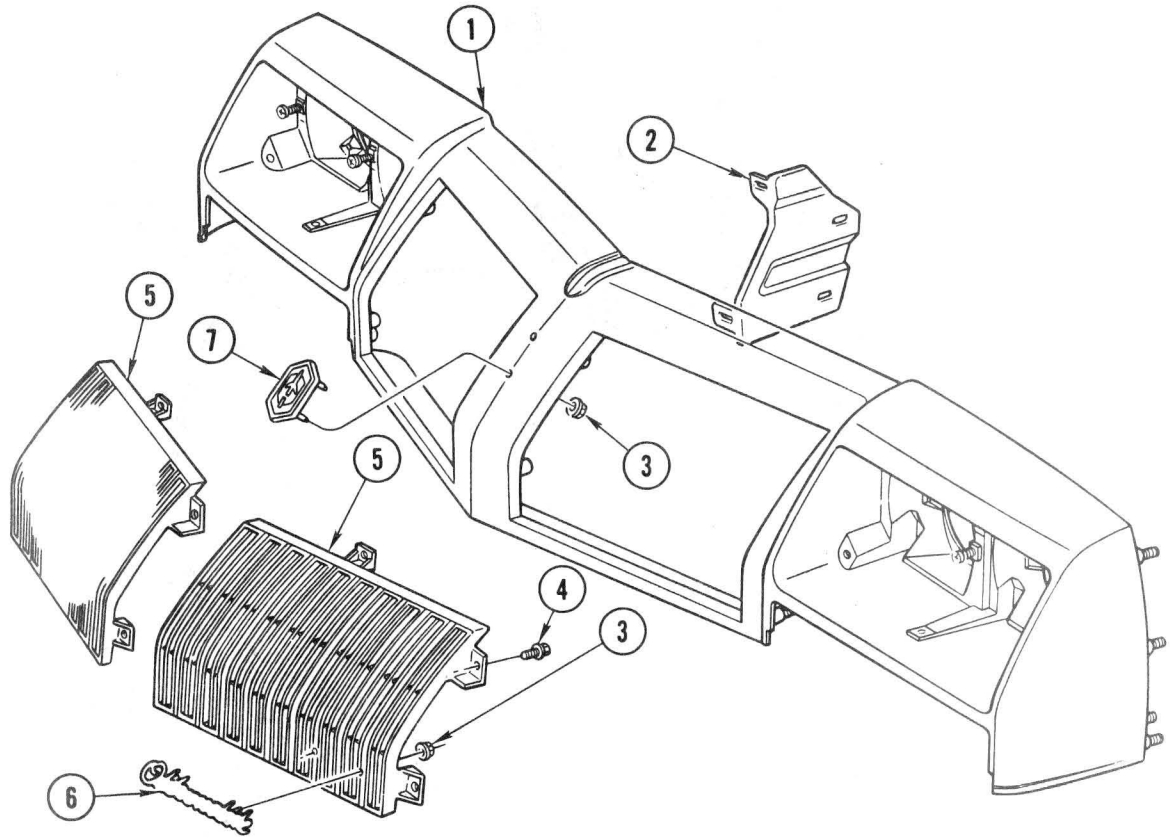
Key	Description	Group
30	SUPPORT	1.270
31	SPRING	8.083
32	SEAL ASM.	1.270
33	CONDENSER ASM.	9.190
34	RADIATOR	1.219
35	HORN ASM.	2.810
36	LATCH ASM.	8.080
37	STRAP	3.130
38	CANISTER ASM.	3.130
39	EMBLEM ASM.	1.303
40	MOLDING	1.303
41	EMBLEM	1.303
42	PANEL	1.263
43	MOLDING	1.303
44	DOOR	2.728
45	SUPPORT ASM.	1.270
46	BRACKET	9.190
47	HEADLAMP	2.727
48	DEFLECTOR	1.272
49	LAMP ASM.	2.585
50	BEZEL	2.589
51	CAP	1.203
52	HOSE	1.173
53	CLAMP	1.166
54	RADIATOR	1.219
55	HOSE	1.159
56	LAMP ASM.	2.585
57	GRILLE	1.266
58	SEAL	1.274



1976 "AH, AJ, AM" RADIATOR GRILLE

Key	Description	Group
1	EMBLEM, Front End Panel	1.303
2	NUT ($\frac{3}{16} \times \frac{3}{16}$)	8.921
3	BRACKET, Front End Panel—to Centre Support	1.263
4	SCREW (8-18 x $\frac{3}{4}$)	8.977
5	NUT ($\frac{1}{4}$ -14)	8.921

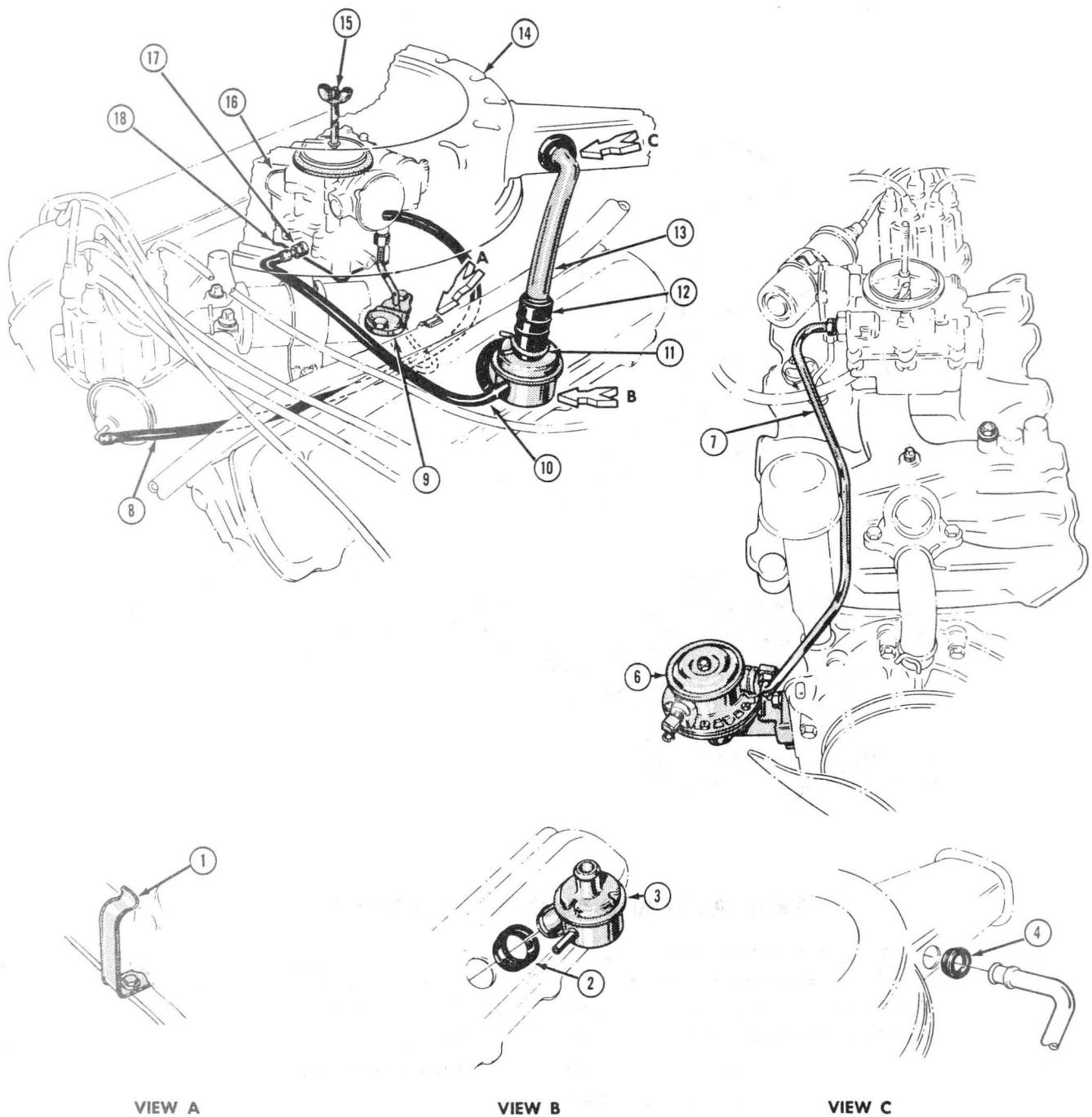
Key	Description	Group
6	GRILLE, Radiator	1.266
7	DECAL, Grille Bar — Centre	1.263
8	SCRIPT, Radiator Grille	1.303
9	PANEL, Front End	1.263



1976 "AG37 AND AG29" RADIATOR GRILLE

Key	Description	Group
1	PANEL, Front End — Inc. Support	1.263
2	BRACKET, Centre Support to Front End Panel	1.263
3	NUT ($\frac{3}{8}$ x $\frac{3}{8}$)	8.921
4	SCREW (8-18 x $\frac{3}{4}$)	8.977

Key	Description	Group
5	GRILLE, Radiator	1.266
6	SCRIPT, Radiator Grille	1.303
7	EMBLEM, Front End Panel	1.303



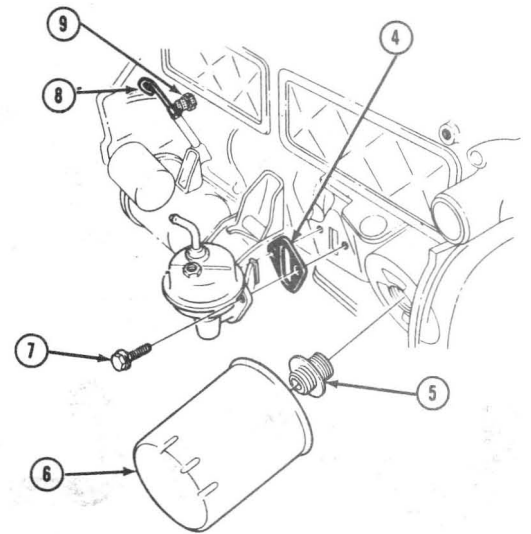
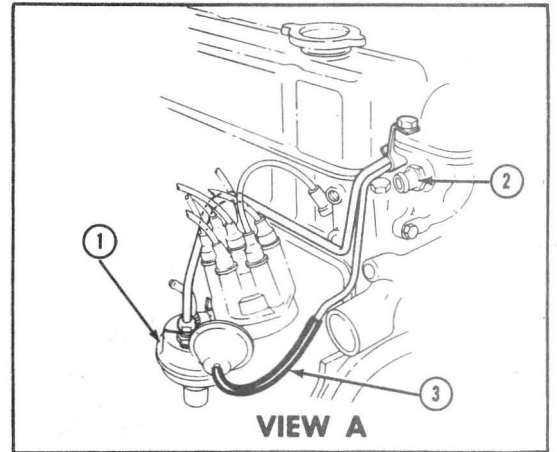
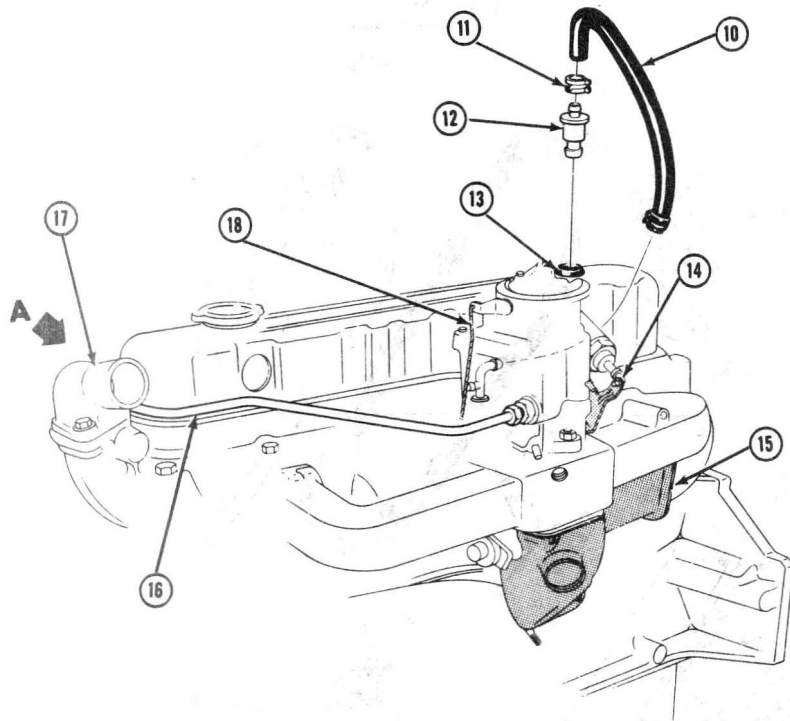
1964-65 F-85 ENGINE HOSE AND PIPING V-8 WITH 2 BC AND TYPICAL OF 4 BC

Key	Description	Group
1	Clip	N.L.
2	Grommet, Crankcase Ventilator Valve	1.745
3	Valve Pkg., Crankcase Vent. Control	1.745
4	Grommet, Ventilator Pipe to Air Cleaner	1.745
6	Pump, Fuel	3.900
7	Bulk, Tubing	N.L.
8	Hose, 5/32 In. I.D.	8.962
9	Shield, Choke Air Inlet	3.603
N.L.—Not Listed		

Key	Description	Group
10	Hose, Ventilation Valve to Carburetor	1.762
11	Clamp, Adj. Type	N.L.
12	Hose, Crankcase Vent Valve to Vent Pipe	1.762
13	Pipe, Ventilation	1.762
14	Cleaner and Silencer Assembly, Carburetor Air	3.402
15	Stud, Air Cleaner to Carburetor	3.403
16	Carburetor, Service Replacement	3.725
17	Connector, Crankcase Ventilator Hose to Carburetor	1.745
18	Gasket, Carburetor Air Cleaner to Carburetor	3.403

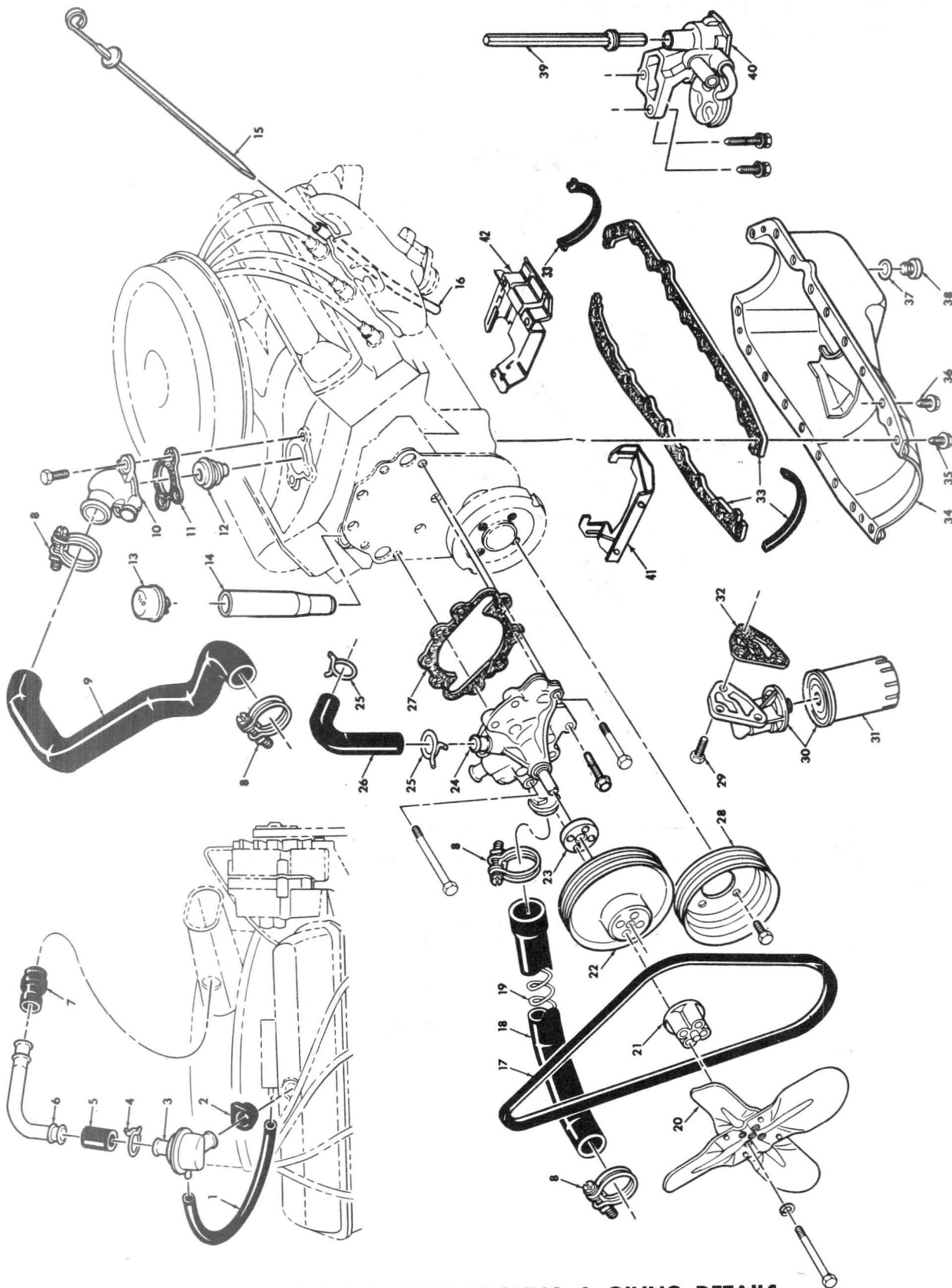


**1971 F-85 6 CYL. PIPES, VENTILATION,
 OIL FILTER & FUEL PUMP DETAILS**



Key	Description	Group
1	PUMP, Fuel	3.900
2	NIPPLE	8.866
3	HOSE	2.420
4	GASKET, Fuel Pump MTG.	3.904
5	CONNECTOR, Oil Filter	1.855
6	FILTER, Oil (Eng.)	1.835
7	BOLT (Pump to Cyl. Block)	3.901
8	INDICATOR (Oil Level)	1.516
9	SWITCH (Oil Pressure)	1.800

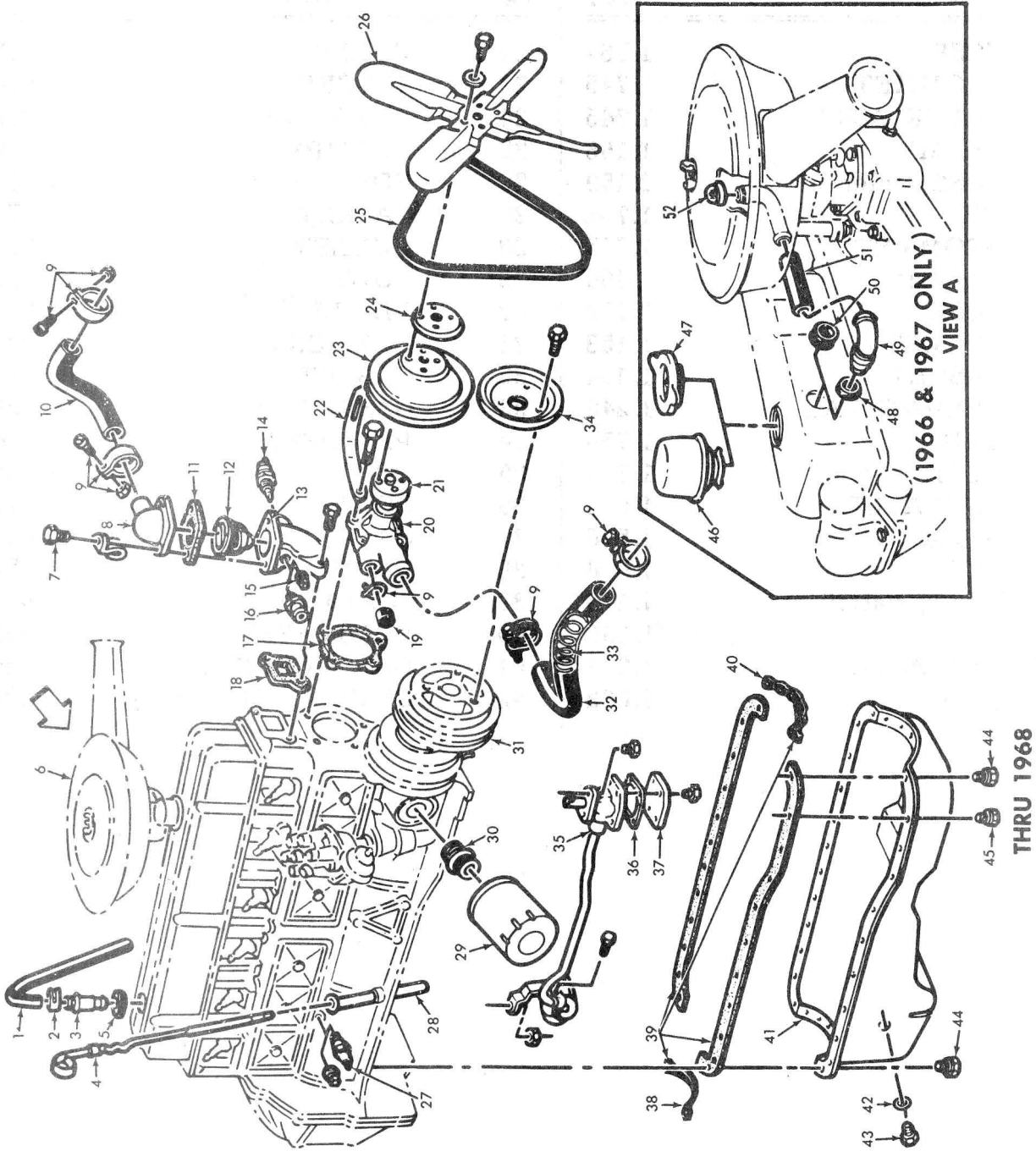
Key	Description	Group
10	HOSE	1.762
11	CLAMP	1.166
12	VALVE	1.745
13	GROMMET (Rocker Cover)	1.745
14	LEVER (Throttle)	3.463
15	STOVE (Carb. Air Heat)	3.417
16	TUBING (Bulk)	8.964
17	OUTLET (Water)	1.153
18	ROD (Choke)	3.752



1965-74 V-8 ENGINE COOLING & OILING DETAILS

1965-74 V-8 ENGINE COOLING & OILING DETAILS

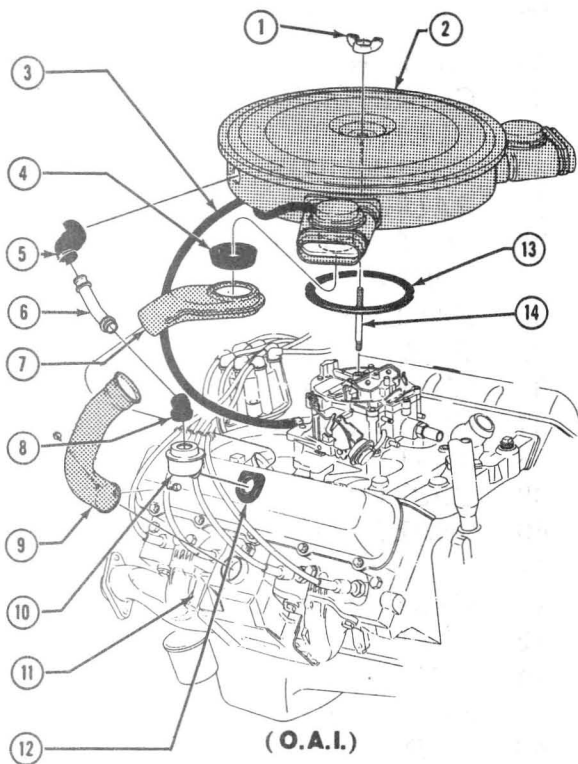
Key	Description	Group	Key	Description	Group
1	HOSE	1.762	22	PULLEY	1.062
2	GROMMET	1.745	23	SPACER	1.064
3	VALVE ASSY.	1.745	24	PUMP ASSY.	1.069
4	CLAMP	1.166	25	CLAMP	1.166
5	HOSE, inlet	1.159	26	HOSE, by-pass	1.097
6	PIPE	1.762	27	GASKET	1.079
7	GROMMET	1.745	28	PULLEY	0.659
8	CLAMP	1.166	29	BOLT	1.069
9	HOSE	1.159	30	FILTER	1.835
10	OUTLET	1.153	31	ELEMENT	1.836
11	GASKET	1.154	32	GASKET	1.844
12	THERMOSTAT	1.246	33	GASKET SET	1.429
13	CAP	1.758	34	PAN ASSY.	1.426
14	TUBE	1.745	35	BOLT	1.428
15	INDICATOR	1.516	36	BOLT	1.428
16	GUIDE	1.516	37	GASKET	1.456
17	BELT	1.066	38	PLUG	1.453
18	HOSE, outlet	1.173	39	SHAFT	1.639
19	SPRING	1.166	40	PUMP ASSY.	1.652
20	FAN ASSY.	1.064	41	DEFLECTOR (front)	1.430
21	HUB	1.062	42	DEFLECTOR (rear)	1.430



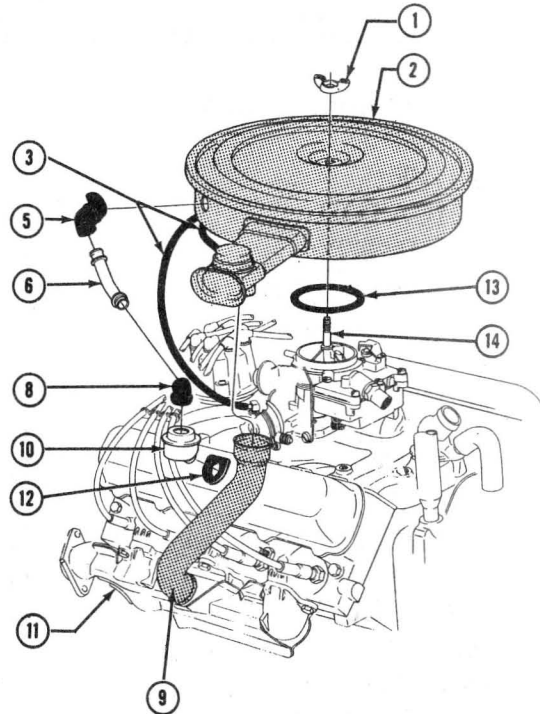
**1966 L-6 ENGINE COOLING AND OILING DETAILS
(TYPICAL OF 1967 THRU 1976)**

**1966 L-6 ENGINE COOLING AND OILING DETAILS
(TYPICAL OF 1967 THRU 1976)**

Key	Description	Group	Key	Description	Group
1	HOSE (exc. closed P. C. V.)	1.762	27	SWITCH	1.800
2	CLAMP	1.166	28	GUIDE, indicator	1.516
3	VALVE	1.745	29	ELEMENT (PF-11)	1.836
4	INDICATOR	1.516	30	CONNECTOR	1.855
5	GROMMET	1.745	31	BALANCER	0.659
6	CLEANER, air	3.402	32	HOSE, outlet	1.173
7	BOLT	1.153	33	SPRING	1.160
8	OUTLET	1.153	34	PULLEY	0.659
9	CLAMP	1.166	35	PUMP, oil	1.652
10	HOSE, inlet	1.159	36	GASKET, cover	1.724
11	GASKET	1.154	37	COVER, pump	1.723
12	T/STAT	1.246	38	SEAL, rear	1.429
13	HOUSING	1.251	39	GASKET PKG.	1.429
14	SWITCH	1.150	40	SEAL, front	1.429
15	PIPE PLUG (1/2"-14)	8.971	41	PAN, oil	1.426
16	NIPPLE	8.866	42	GASKET (nylon)	1.456
17	GASKET	1.079	43	SCREW	1.453
18	GASKET	1.252	44	BOLT (frt. & rear)	1.428
19	CAP	1.070	45	BOLT (sides)	1.428
20	PUMP, water	1.069	46	CAP	1.758
21	HUB	1.062	47	CAP (closed P. C. V.)	1.758
22	BRACE	N. S. S.	48	PLUG	N. S. S.
23	PULLEY	1.062	49	CONN. (closed P. C. V.)	1.745
24	REINFORCEMENT	1.062	50	GROMMET	1.745
25	BELT, fan and gen.	1.066	51	HOSE (closed P. C. V.)	1.762
26	FAN	1.064	52	ARRESTER	1.745



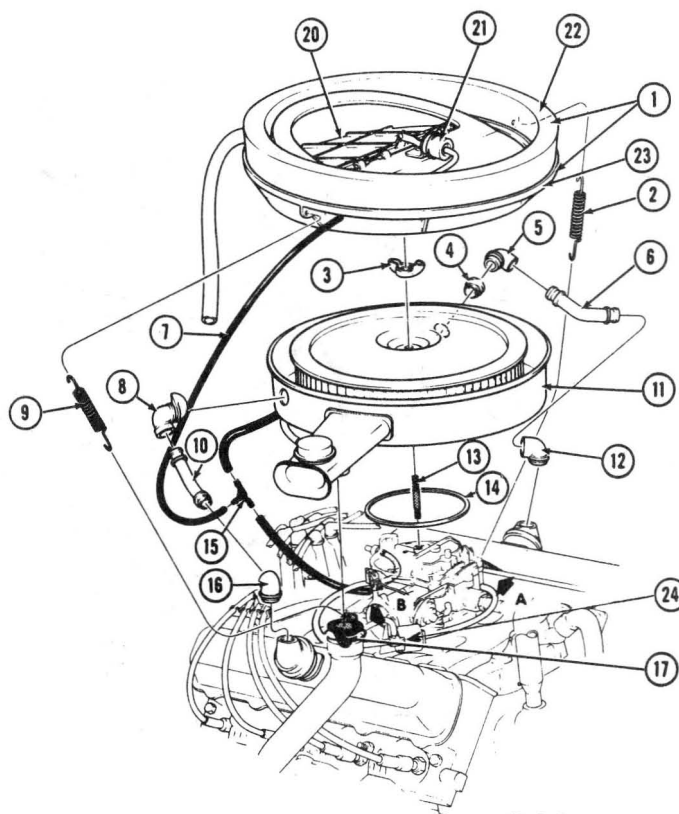
(O.A.I.)



(EXC. O.A.I.)

**1969 AIR CLEANER & CRANKCASE
 VENTILATION DETAILS**

Key	Description	Group
1	Wing Nut, Air Cleaner To Carburetor	8.920
2	Cleaner and Silencer, Carburetor Air	3.402
3	Hose, Ventilation Valve To Carburetor	1.762
4	Grommet, Air Cleaner To Adapter	3.417
5	Grommet, Ventilator Pipe To Air Cleaner	1.745
6	Pipe, Ventilation	1.762
7	Adapter, Air Cleaner Hot Air	3.417
8	Elbow, Vent Pipe To Valve Cover or Filter	1.745
9	Pipe, Hot Air	3.417
10	Filter, Engine Valve Cover Crankcase Breather	1.745
11	Shroud, Exhaust Manifold	3.602
12	Grommet, Crankcase Ventilator Valve	1.745
13	Gasket, Air Cleaner To Carburetor	3.403
14	Stud, Air Cleaner To Carburetor	3.403

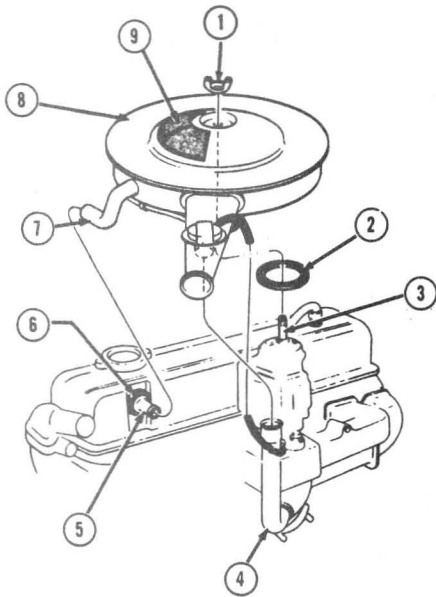


O.A.I.

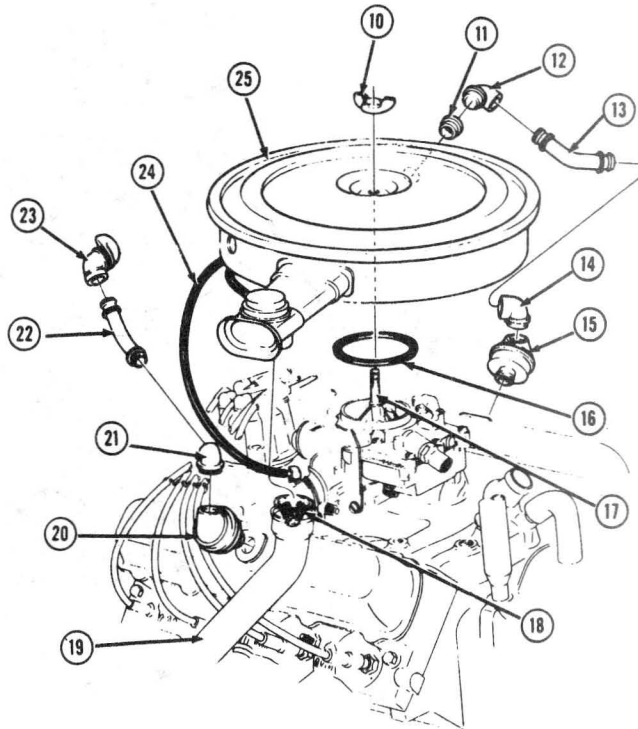
**1970 F-85 AIR CLEANER & CRANKCASE VENTILATION
(TYPICAL OF 1971-72)**

Key	Description	Group
1	ADAPTER ASSY., Air Cleaner	3.417
2	SPRING	3.459
3	WING NUT	3.403
4	PLUG, Air Cleaner Vent Pipe Hole	3.406
5	ELBOW, Vent Pipe to Filter	1.745
6	PIPE, Vent	1.762
7	HOSE, Tee to Motor	N.L.
8	GROMMET, Vent Pipe to Air Cleaner	1.745
9	SPRING	3.459
10	PIPE, Vent	1.762
11	CLEANER	3.402
12	ELBOW, Vent Pipe to Filter	1.745

Key	Description	Group
13	STUD, Cleaner to Carb. (4 1/8")	3.403
14	GASKET, Cleaner to Carb.	3.403
15	TEE, Adapter Door Motor	3.417
16	ELBOW, Vent Pipe to Filter	1.745
17	FILTER, Hot Air Pipe	3.417
18	CLIP	N.L.
19	CLIP	N.L.
20	DOOR, Air Cleaner Adapter	3.403
21	MOTOR, Vac. Air Cleaner Adapter Door	3.415
22	SEAL, Air Cleaner Adapter to Hood	3.417
23	ADAPTER, Air Cleaner to Hood	3.410
24	SOLENOID, Dist. Vacuum	2.408



L6 (F-85 only)

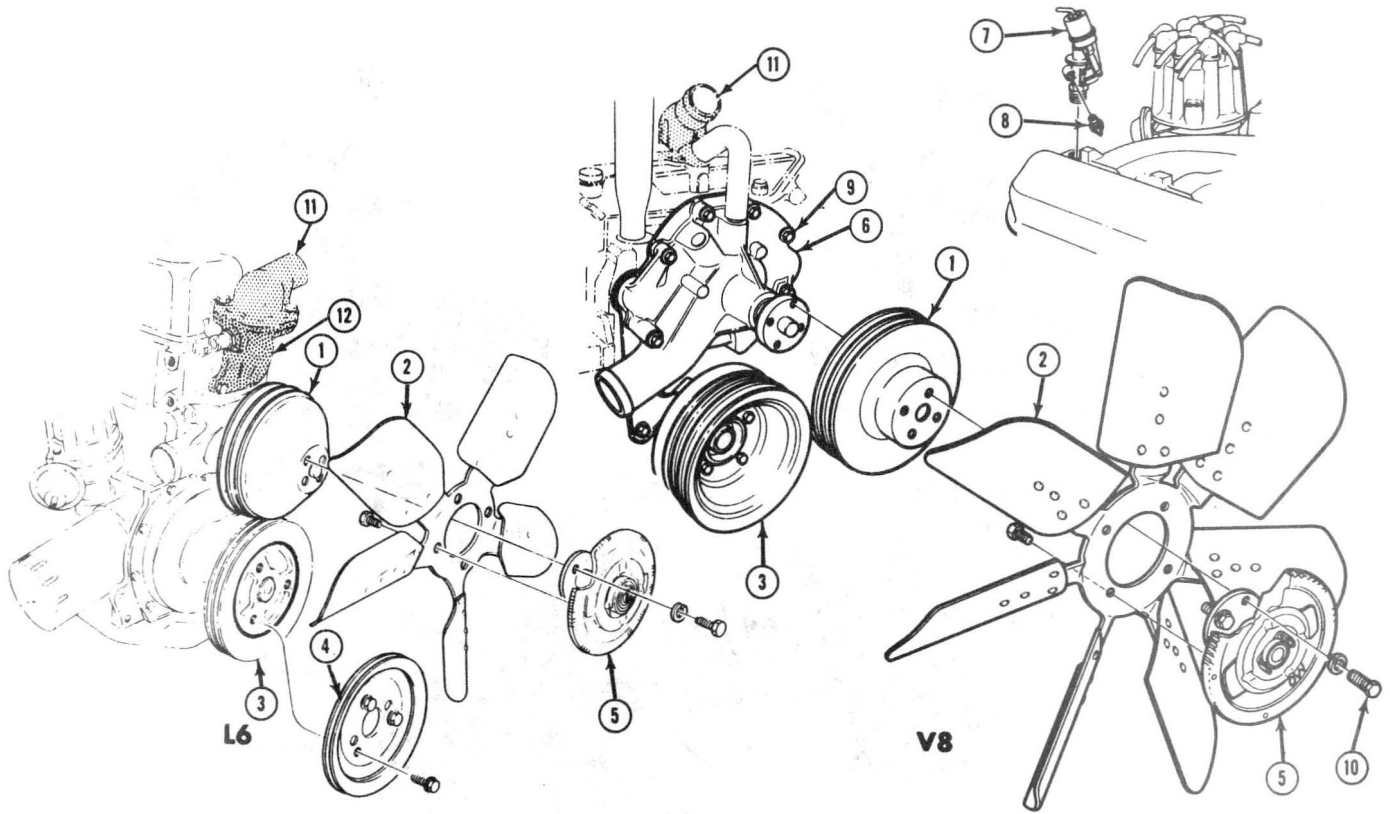


V8

**1971 AIR CLEANER & CRANKCASE VENTILATION
(TYPICAL OF 1972-73)**

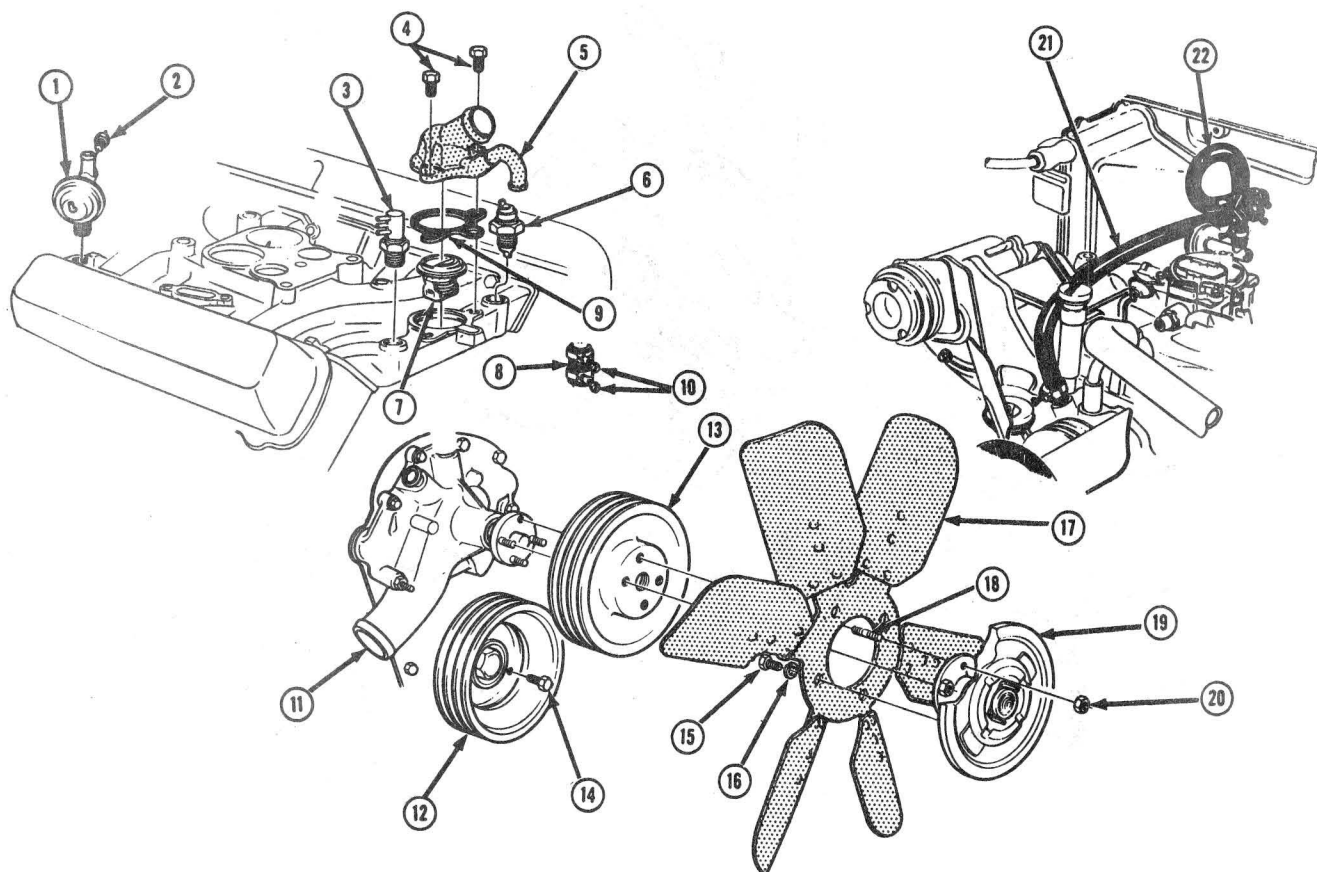
Key	Description	Group
1	WING NUT	8.920
2	GASKET	3.403
3	STUD	3.403
4	PIPE	3.417
5	CONNECTOR	1.745
6	GROMMET	1.745
7	HOSE	1.762
8	AIR CLEANER	3.402
9	LABEL	3.403
10	WING NUT	8.920
11	PLUG	3.406
12	ELBOW	1.745
13	PIPE	1.762

Key	Description	Group
14	ELBOW	1.745
15	FILTER	1.745
16	GASKET	3.403
17	STUD	3.403
18	FILTER	3.417
19	PIPE	3.417
20	FILTER	1.745
21	ELBOW	1.745
22	PIPE	1.762
23	ELBOW	1.745
24	HOSE	1.762
25	AIR CLEANER	3.402



1966 THRU 1972 FAN & CLUTCH DETAILS

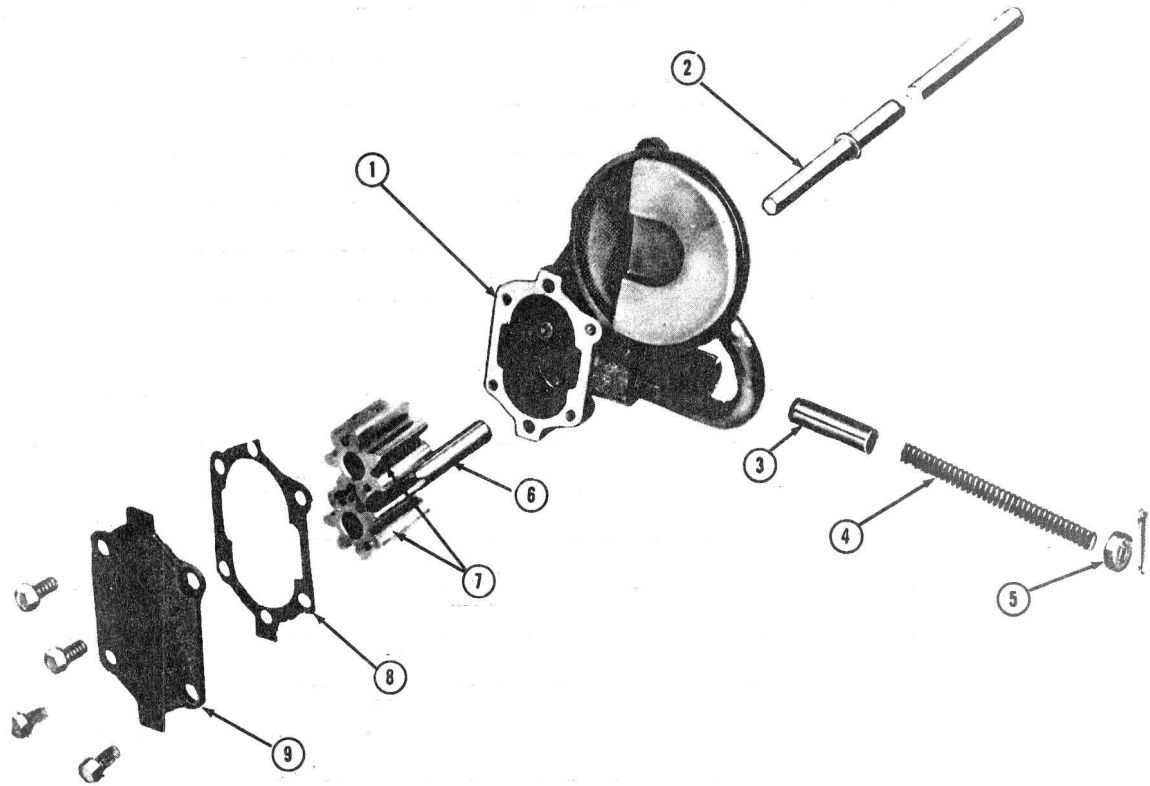
Key	Description	Group
1	Pulley	1.062
2	Fan Assy.	1.064
3	Balancer	0.659
4	Pulley	0.659
5	Clutch	1.050
6	Pump	1.069
7	Valve	9.795
8	Switch	9.275
9	Bolt	1.073
10	Bolt	1.050
11	Outlet	1.153



1973-74 FAN, CLUTCH, WATER PUMP AND MISCELLANEOUS PARTS

Key	Description	Group
1	Valve	9.795
2	Switch	9.275
3	Switch	2.410
4	Bolt	8.900
5	Outlet	1.153
6	Switch	1.150
7	Thermostat	1.246
8	Hose	1.097
9	Gasket	1.154
10	Clamp	1.097
11	Pump	1.069

Key	Description	Group
12	Pulley	0.659
13	Pulley	1.062
14	Bolt	8.900
15	Bolt	8.900
16	Lockwasher	8.931
17	Fan	1.064
18	Stud	1.050
19	Clutch	1.050
20	Nut	8.915
21	Hose	8.962
22	Hose	8.846



1964 THRU 1976 V8 ENGINE OIL PUMP

Key	Description	Group
1	Body, Pump	1.653
2	Extension	1.639
3	Valve	1.609
4	Spring	1.609
5	Retainer (1964 65 Only)	1.609
6	Shaft	1.639
7	Gear	1.639
8	Gasket	1.724
9	Cover	1.723

